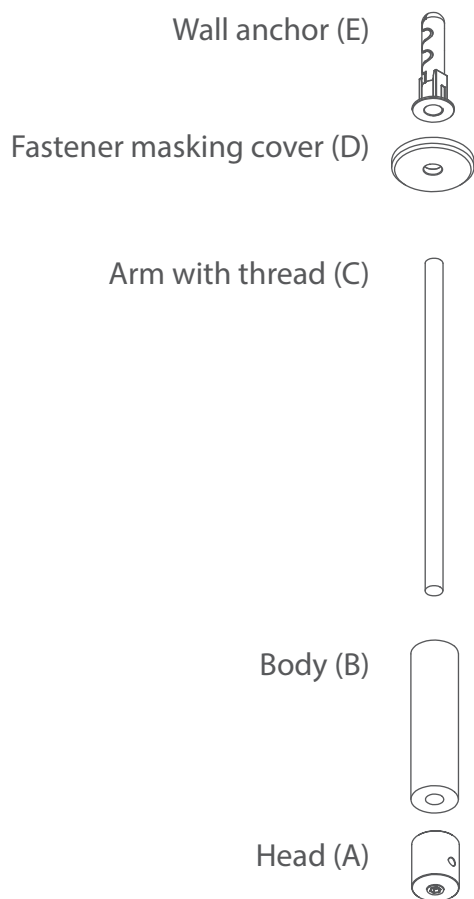


Parts needed to mount the SCONCE BOTTOM FASTENER

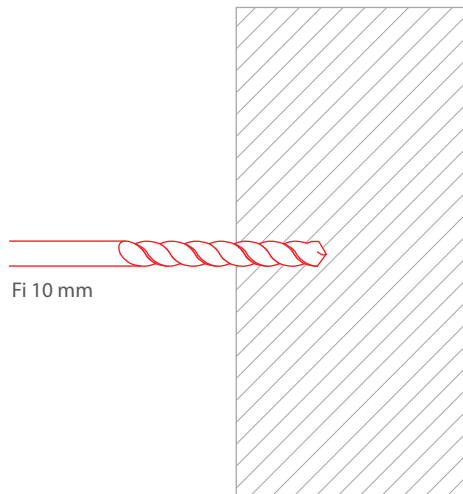


Tools needed for mounting:

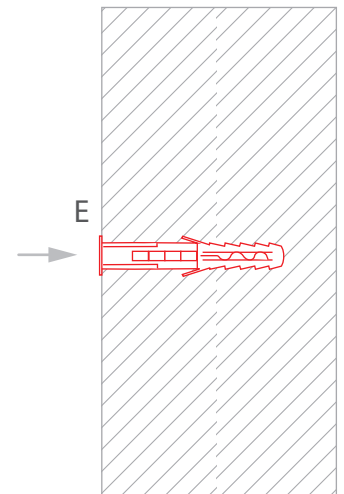
- Allen wrench
- drill

NOTE! A list of products corresponding with the selected accessories is available at www.klusdesign.eu/uk.

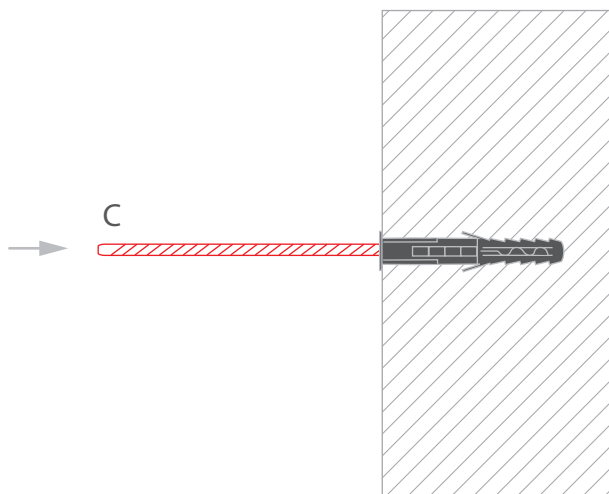
1. Drill a 10mm diameter hole in a brick wall.



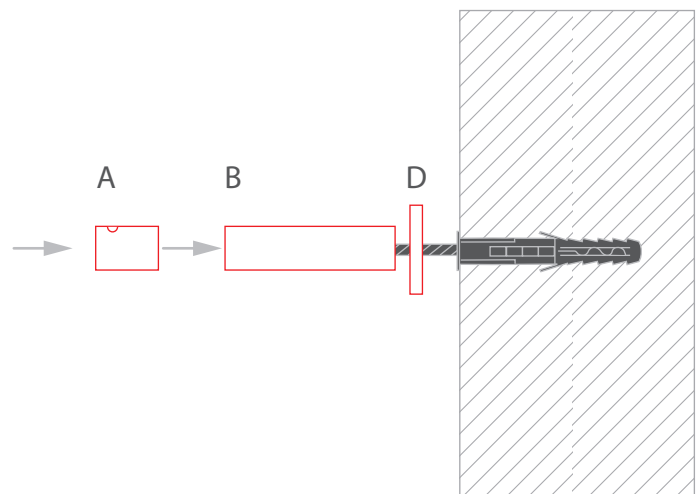
2. Insert the anchor (E).



3. Insert the arm with thread (C) into the anchor.



4. Put the fastener masking cover (D), the body (B) and the head (A) on the arm with thread. Fix the entire assembly tightly to the wall.



5. Run a steel cable through the head. To block it, tighten the pressure screw in the head with the Allen wrench.

