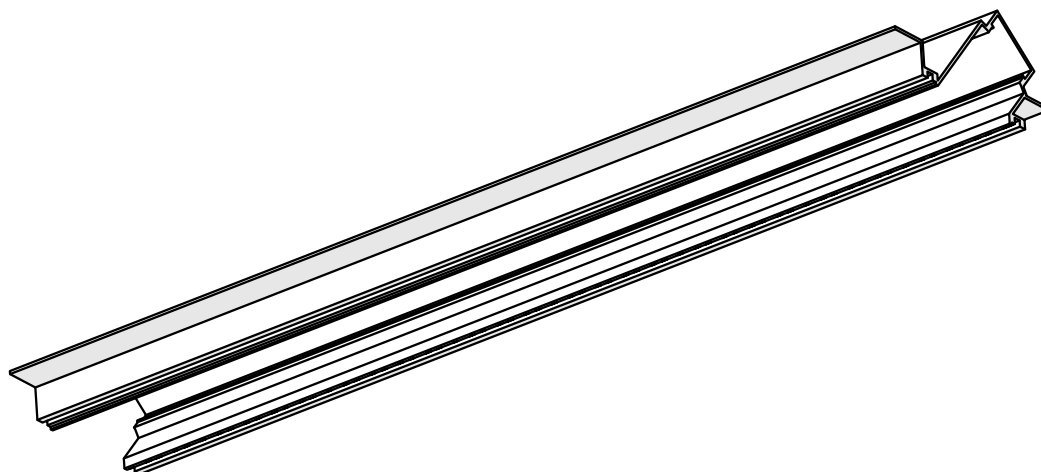
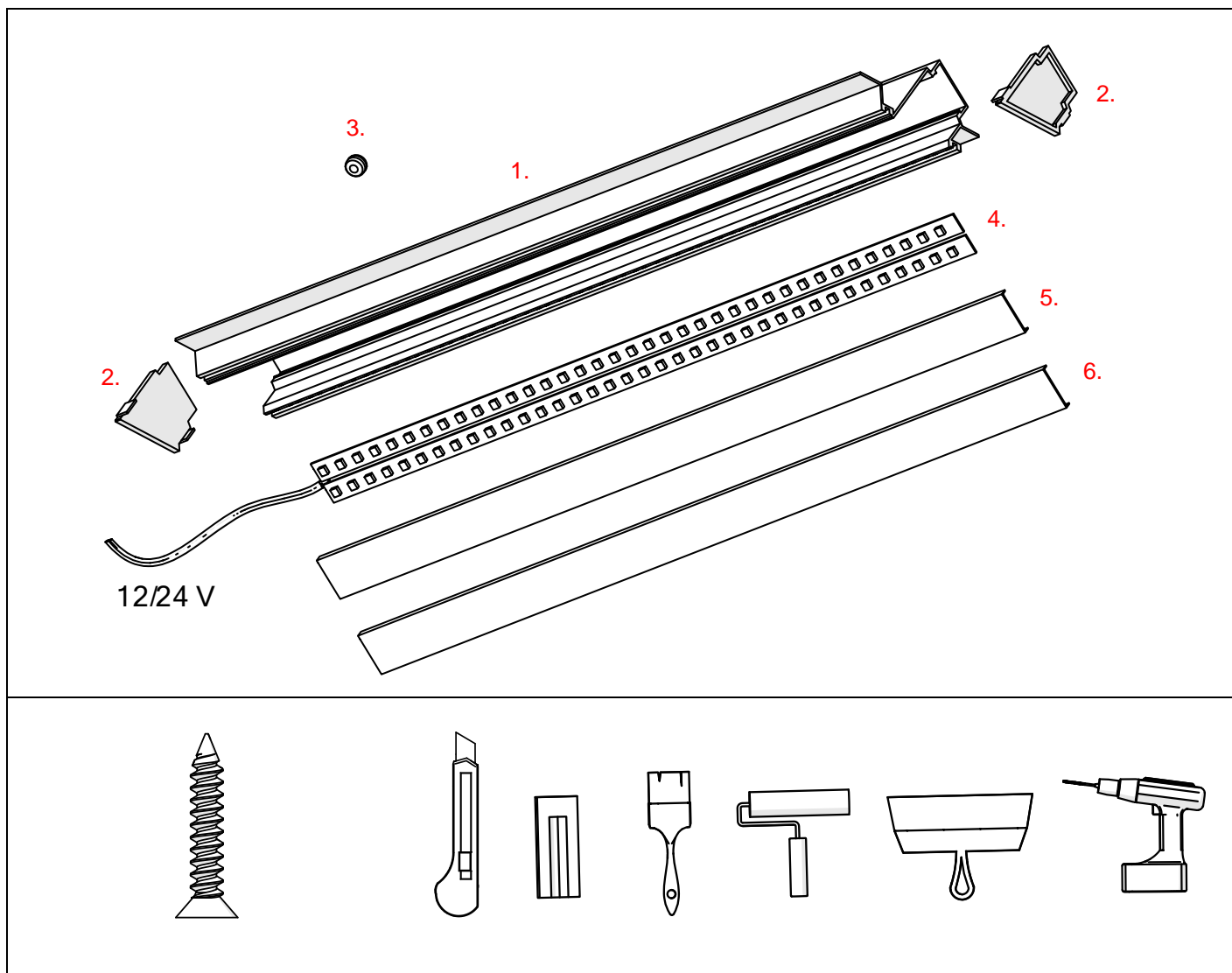


## **DIPOKET/DIPOK-US Profile**





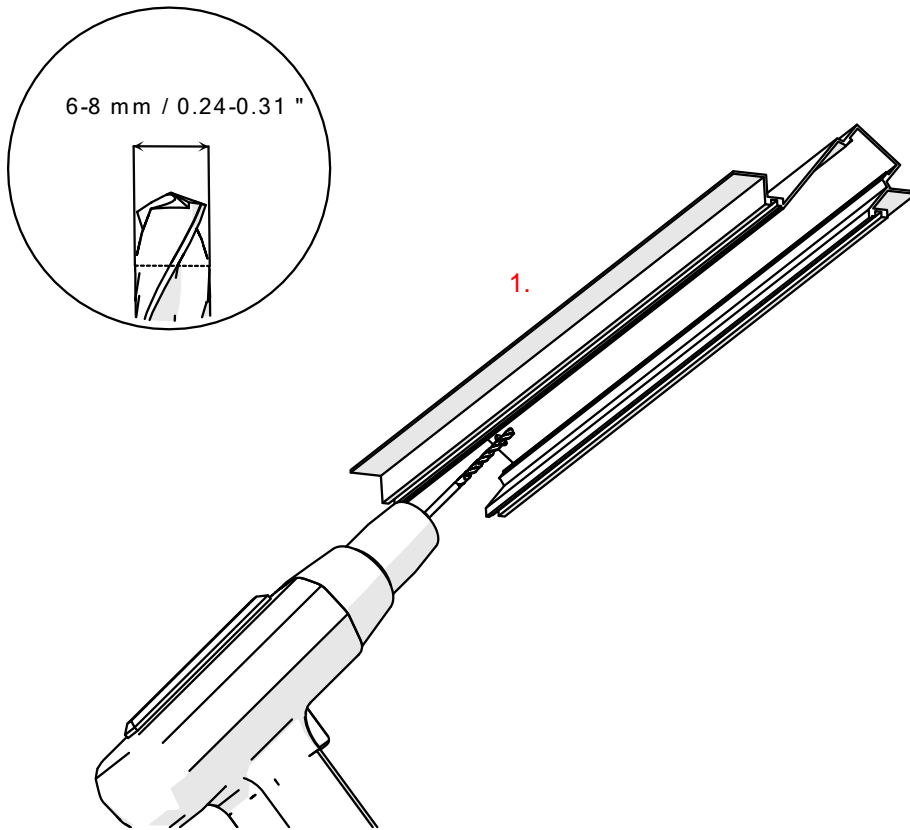
1. DIPOKET/DIPOK-US Profile (Ref. H1177/H1233)
2. End cap set\*
3. Gland\*
4. LED tape\*
5. Protective insert \*
6. Cover\*

\*The full range of accessories and electronics is available at [www.KlusDesign.eu](http://www.KlusDesign.eu)

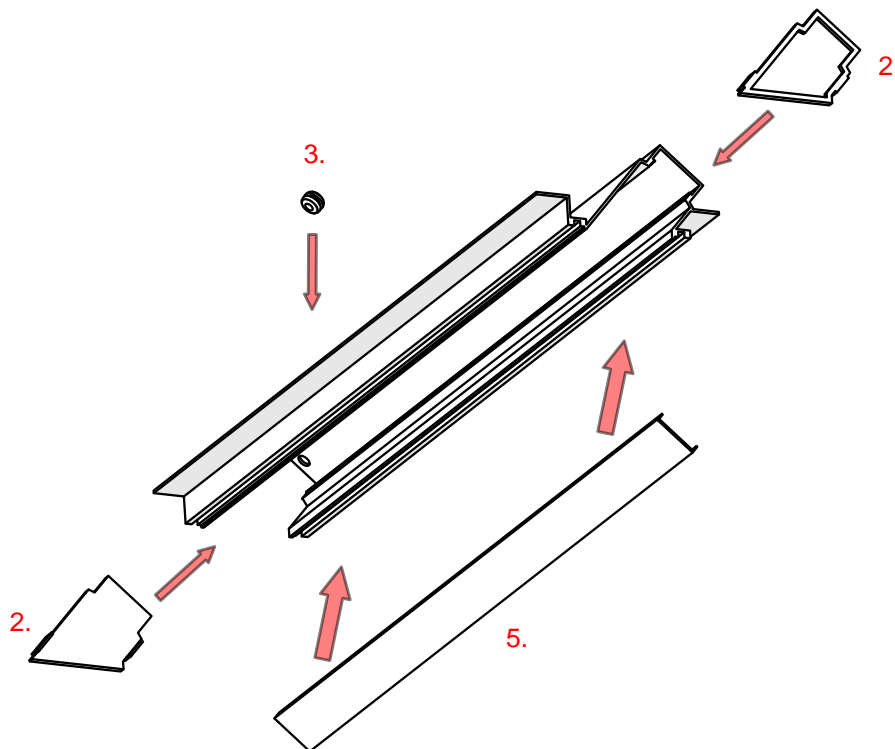
**NOTE! !** All LED tapes must be connected to a 12 V or 24 V power supply.

**IMPORTANT:** Not all possible mounting procedures are presented here. More mounting procedures and related accessories can be found at [www.KlusDesign.eu](http://www.KlusDesign.eu). Drawings in these instructions are simplified and only approximate the actual shapes.

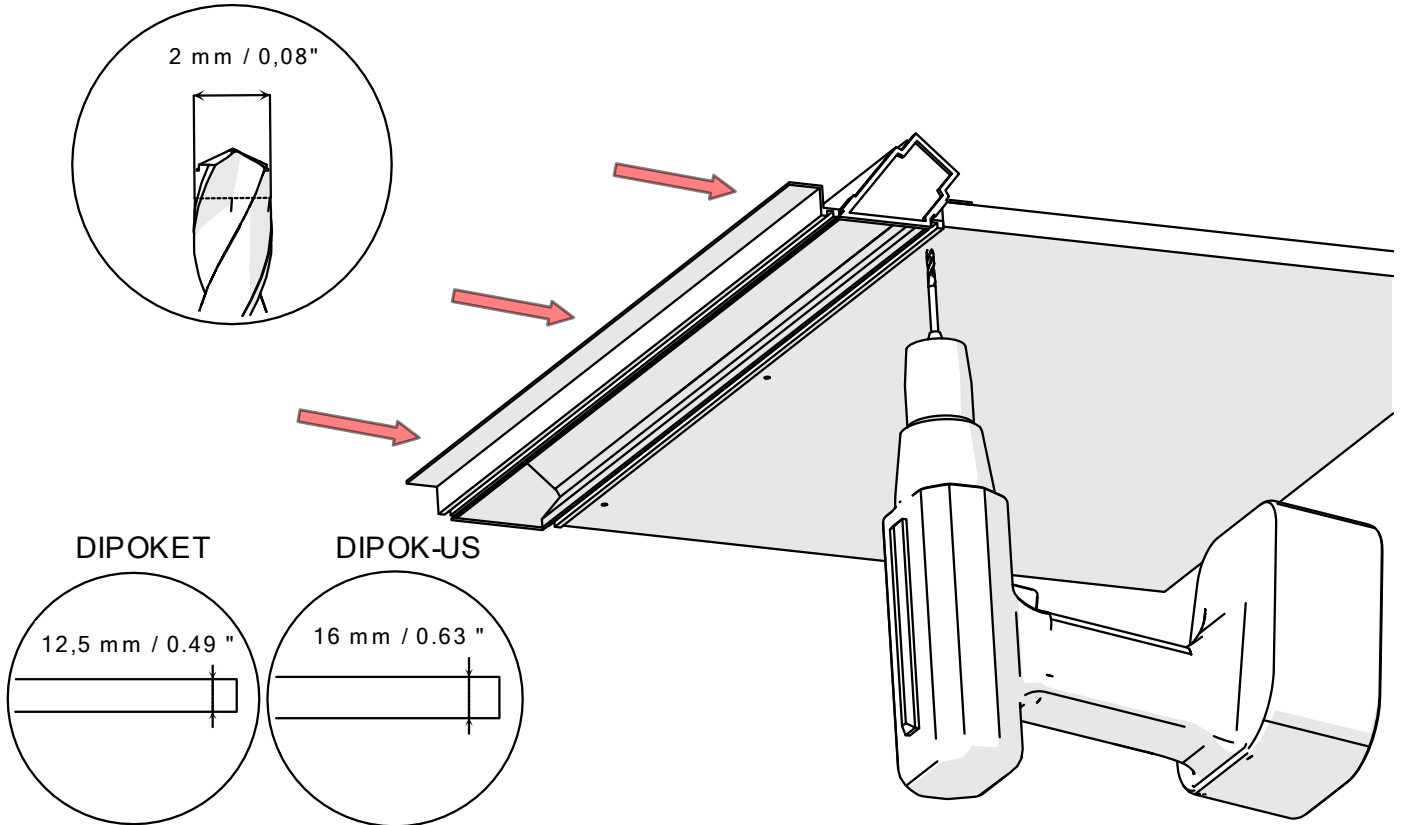
I



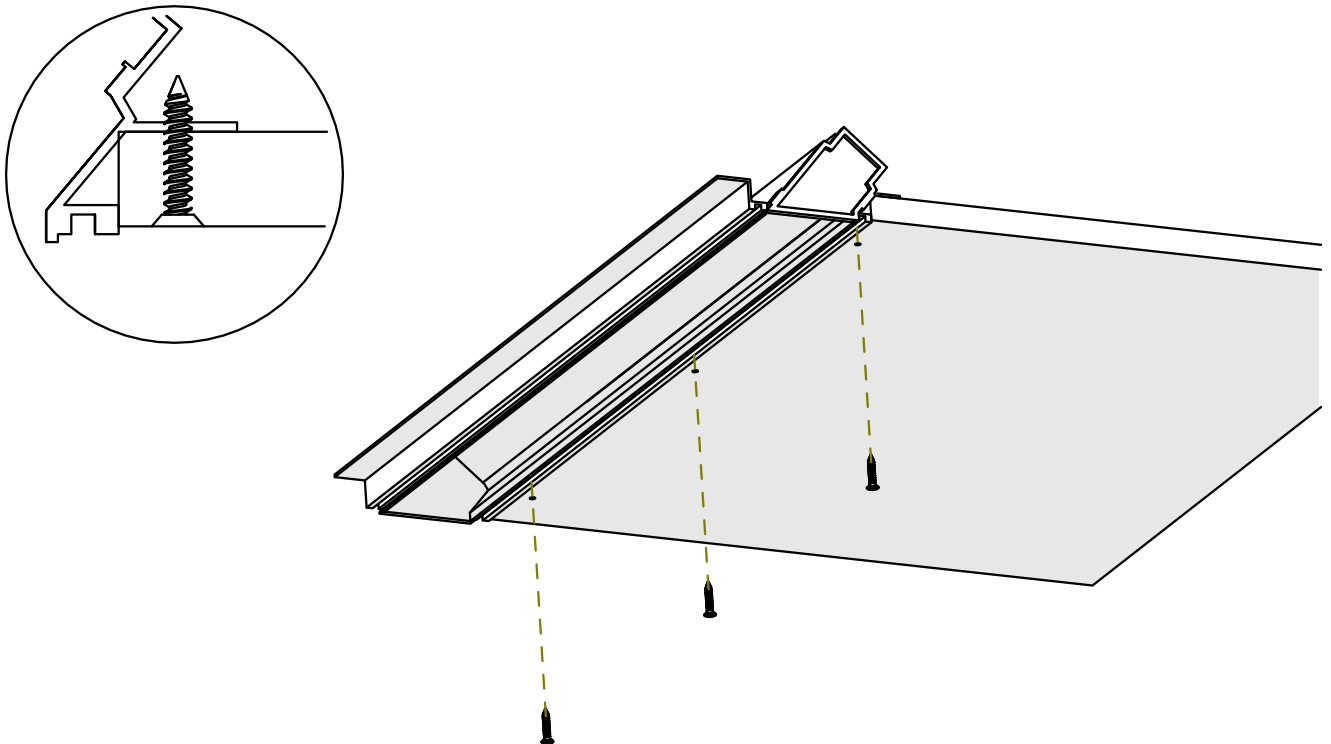
II



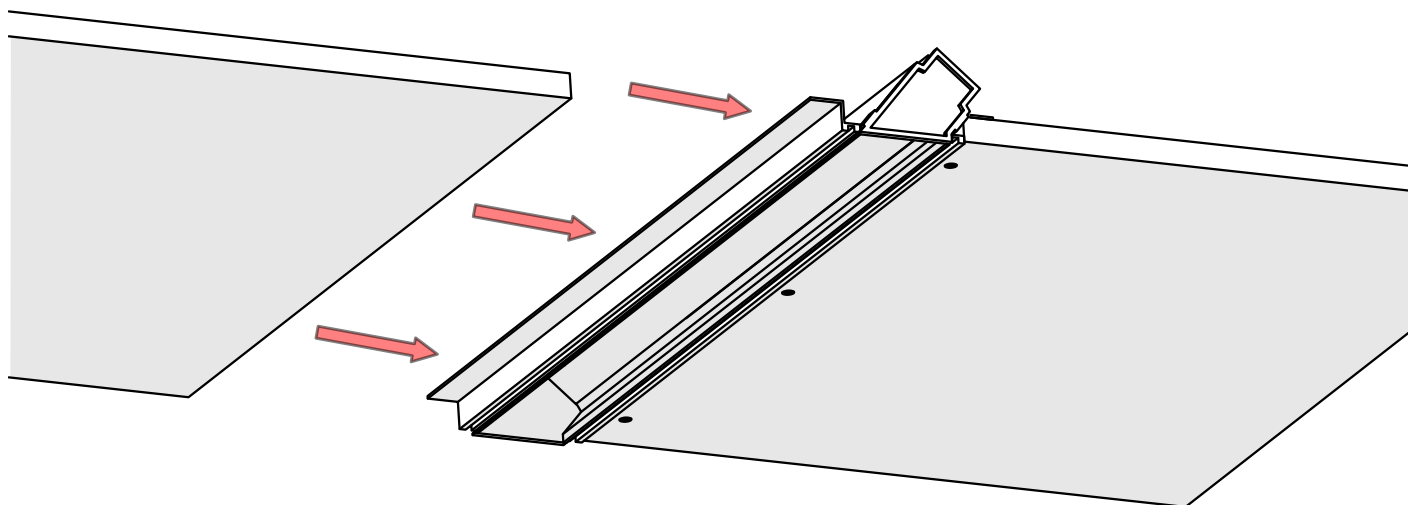
**III**



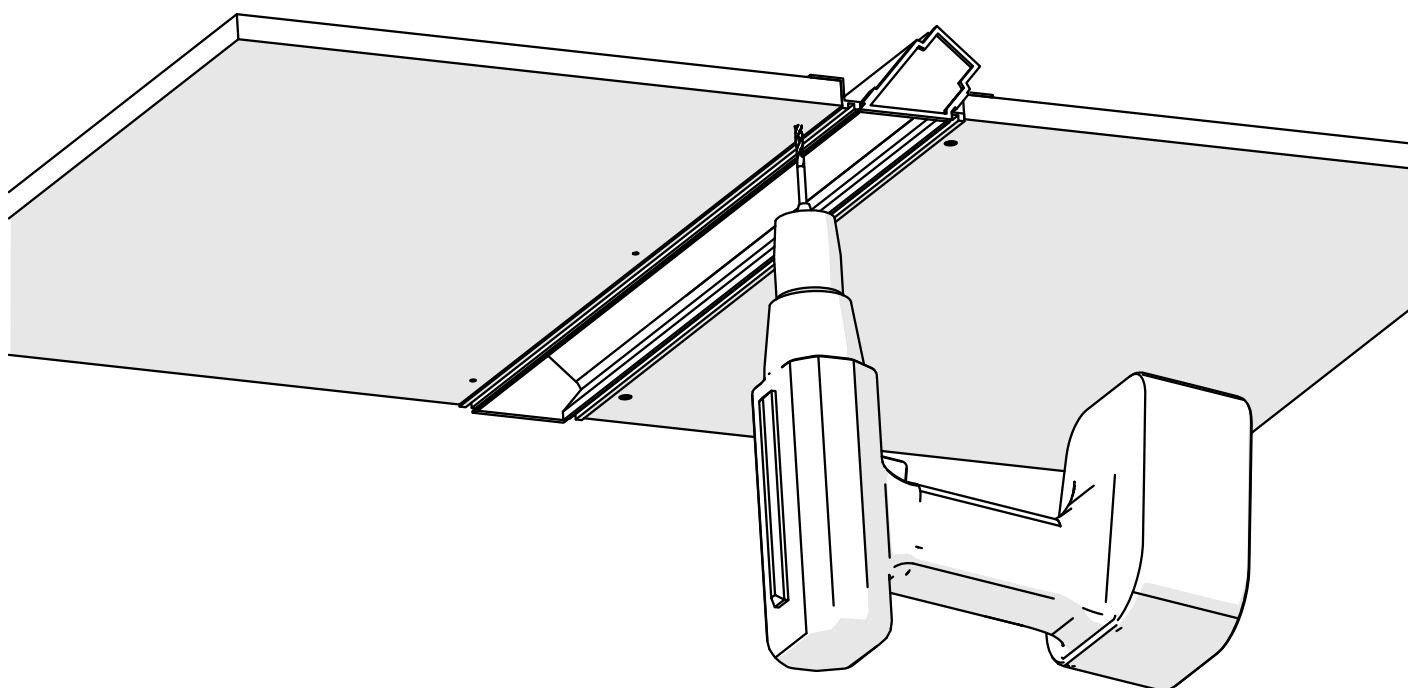
**IV**



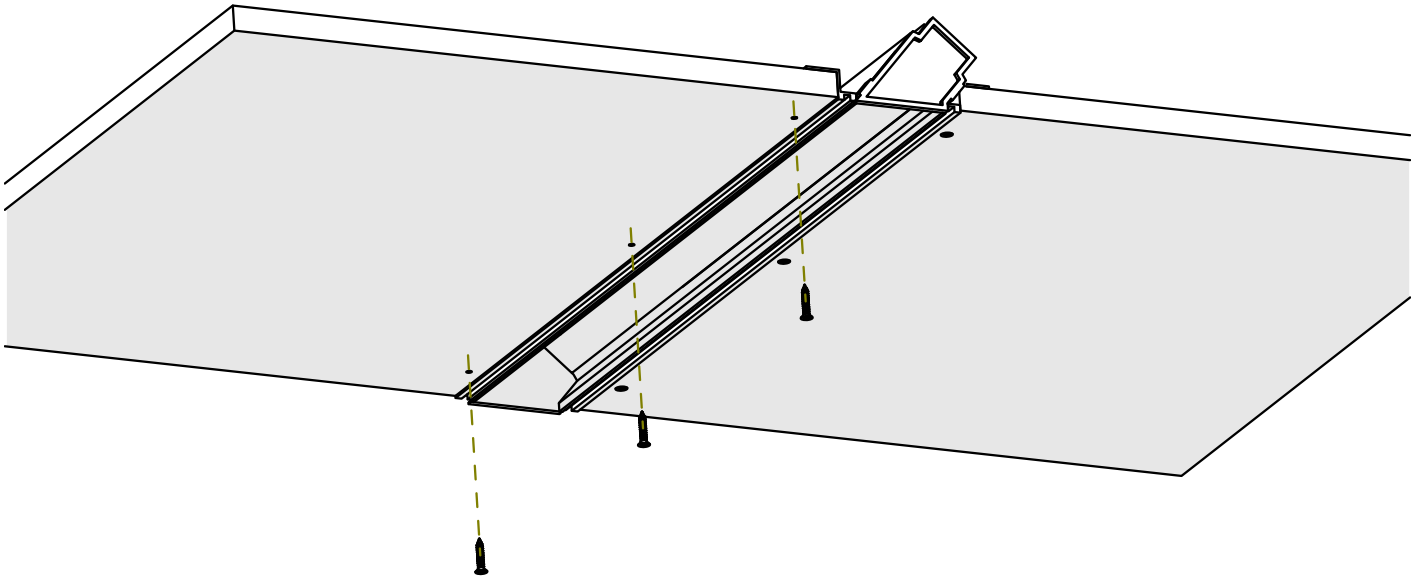
**V**



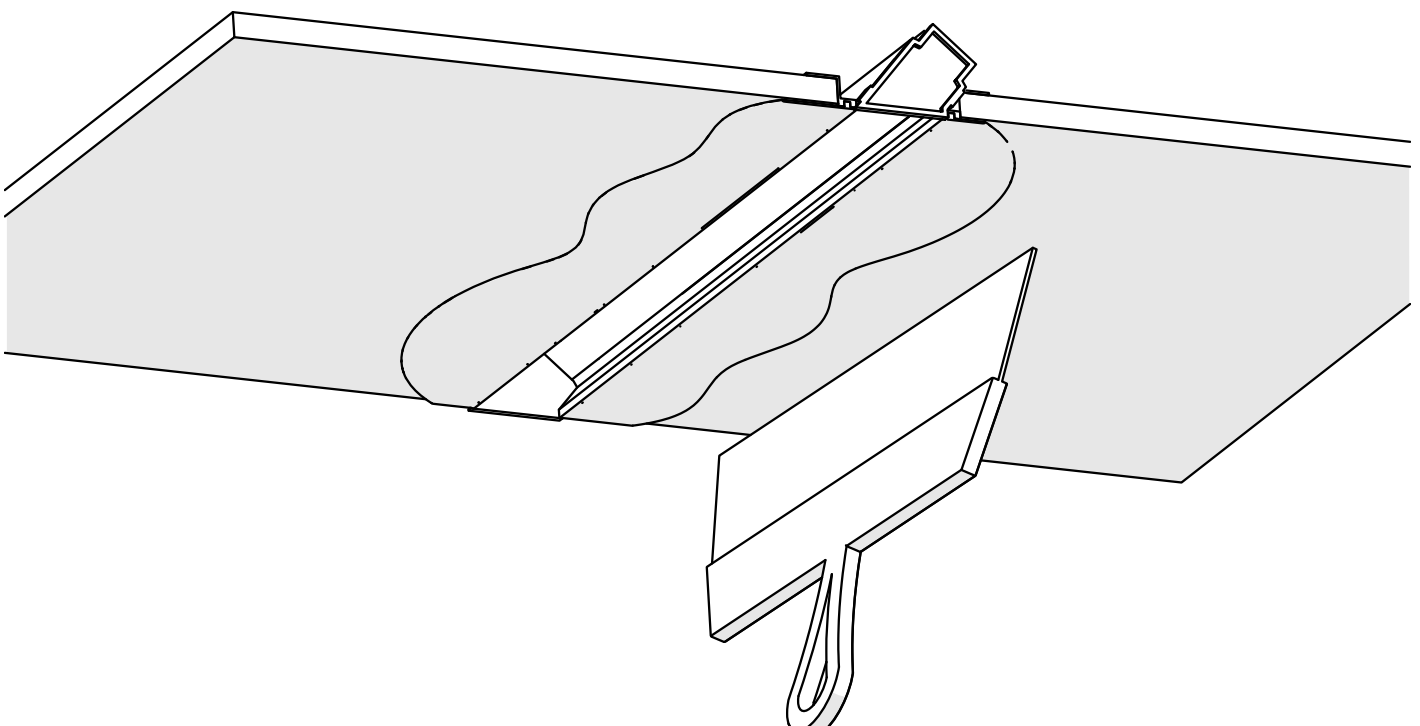
**VI**



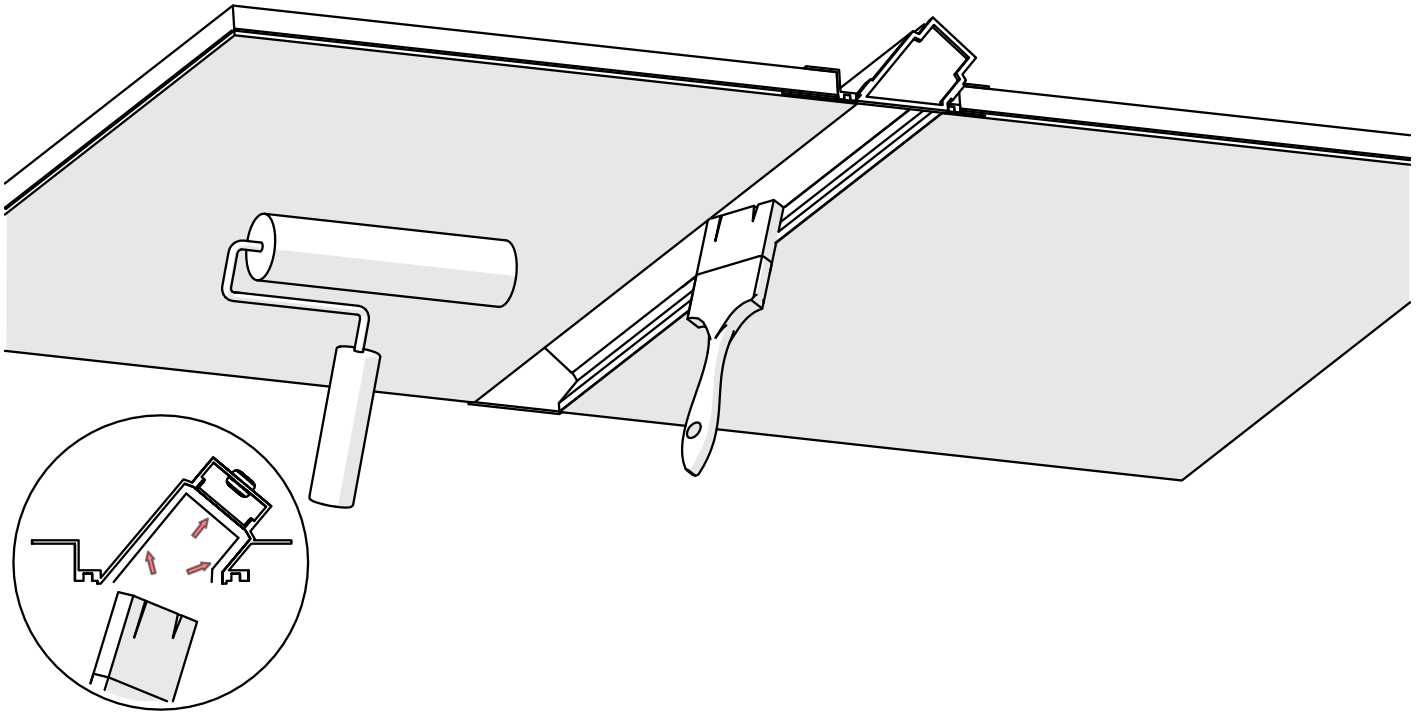
**VII**



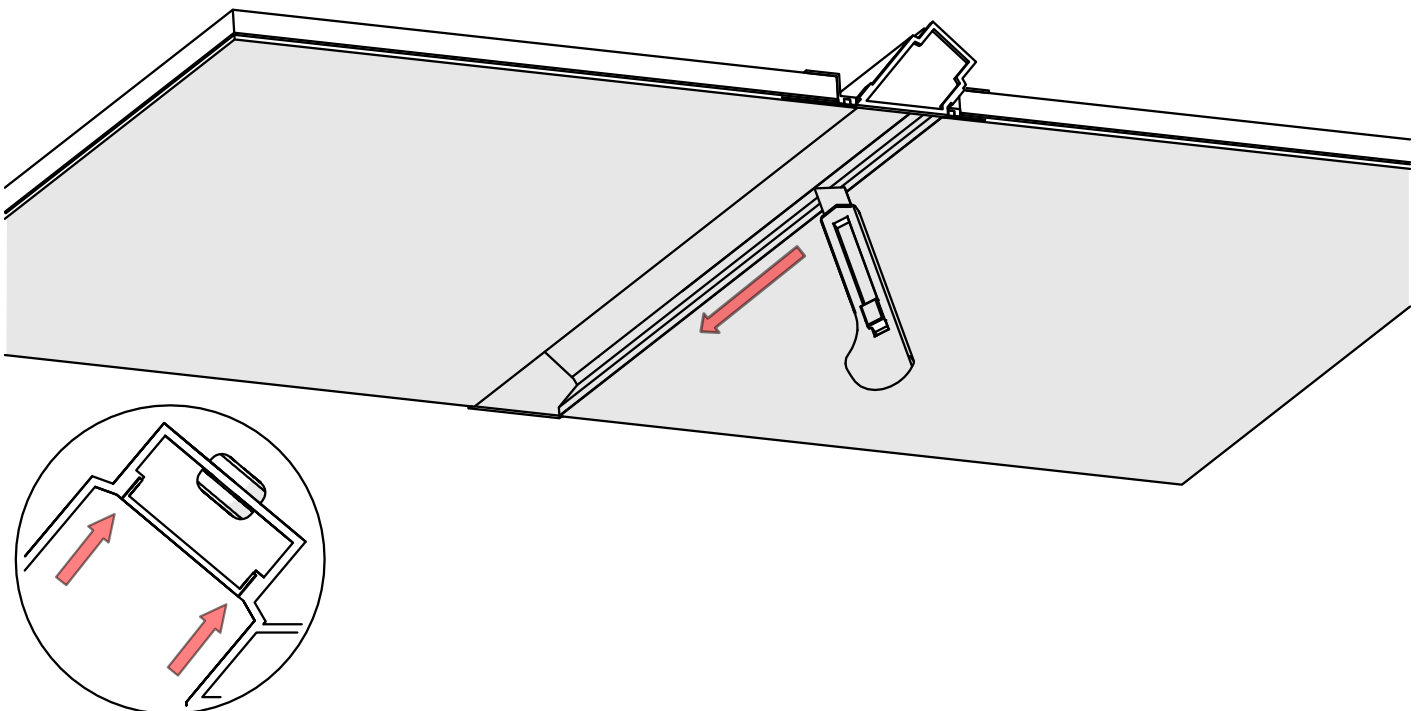
**VIII**



**IX**



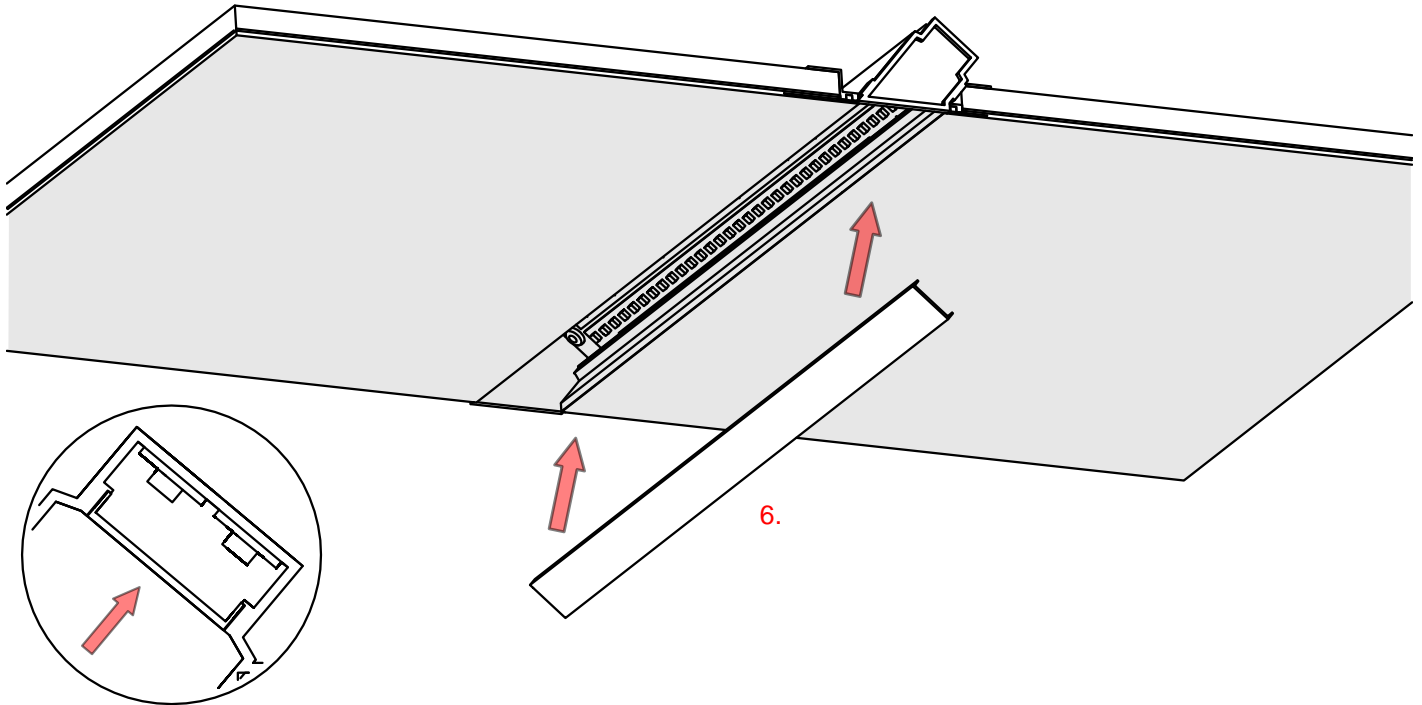
**X**







**XIII**



**XIV**

