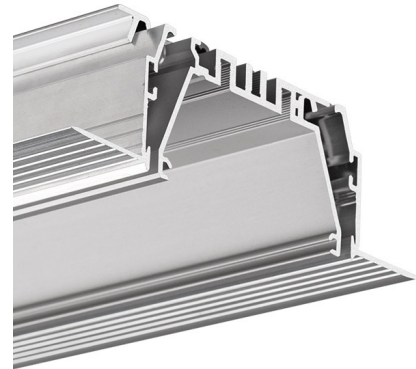


PRODUCT DESCRIPTION

The information contained in the description applies to the MOD-KOZE-50 system (a set of [RAM-KOZE-50](#), [OMODO-50](#) profiles).

- Wall-to-wall mounting possible
- Openwork structure of the Mounting track
- Adjustable elements of the mounting track
- Mounting to drywall boards
- Slightly visible aluminum components
- Easy maintenance
- Glare rating UGR <19 possible



Fill empty fields

Product nr.

Fixture type

Company

Job name

Date

TECHNICAL SPECIFICATION

Application

- main and decorative lighting.

Mounting

- in drywall, using a dedicated mounting track and mounting adhesive,
- can be easily connected into runs,
- the cover is cut to the length of the profile.

Additional information

- MOD-KOZE-50 fixtures are designed for 3 LED strips (10 mm wide), 4 strips (8 mm wide) or a LED current module up to 24 mm wide
- the lighting fixture is designed so that the "core" of the lighting fixture (profile with LED tapes, power supply, wires and end caps) can be prepared in advance, in factory conditions
- the only thing to be done at the installation site is to insert the prepared "core" (OMODO-50) into the pre-installed mounting channel (RAM-KOZE-50)
- the width of the gap in the drywall for RAM-KOZE-50: from 66 mm to 71 mm
- two locking bolts must be used for every 1m of lighting fixture. For lighting fixtures shorter than 1m, at least 2 bolts
- the gaps between the edges of the mounting channel and the "core" of the fixture can be finished with a dedicated silicone cord

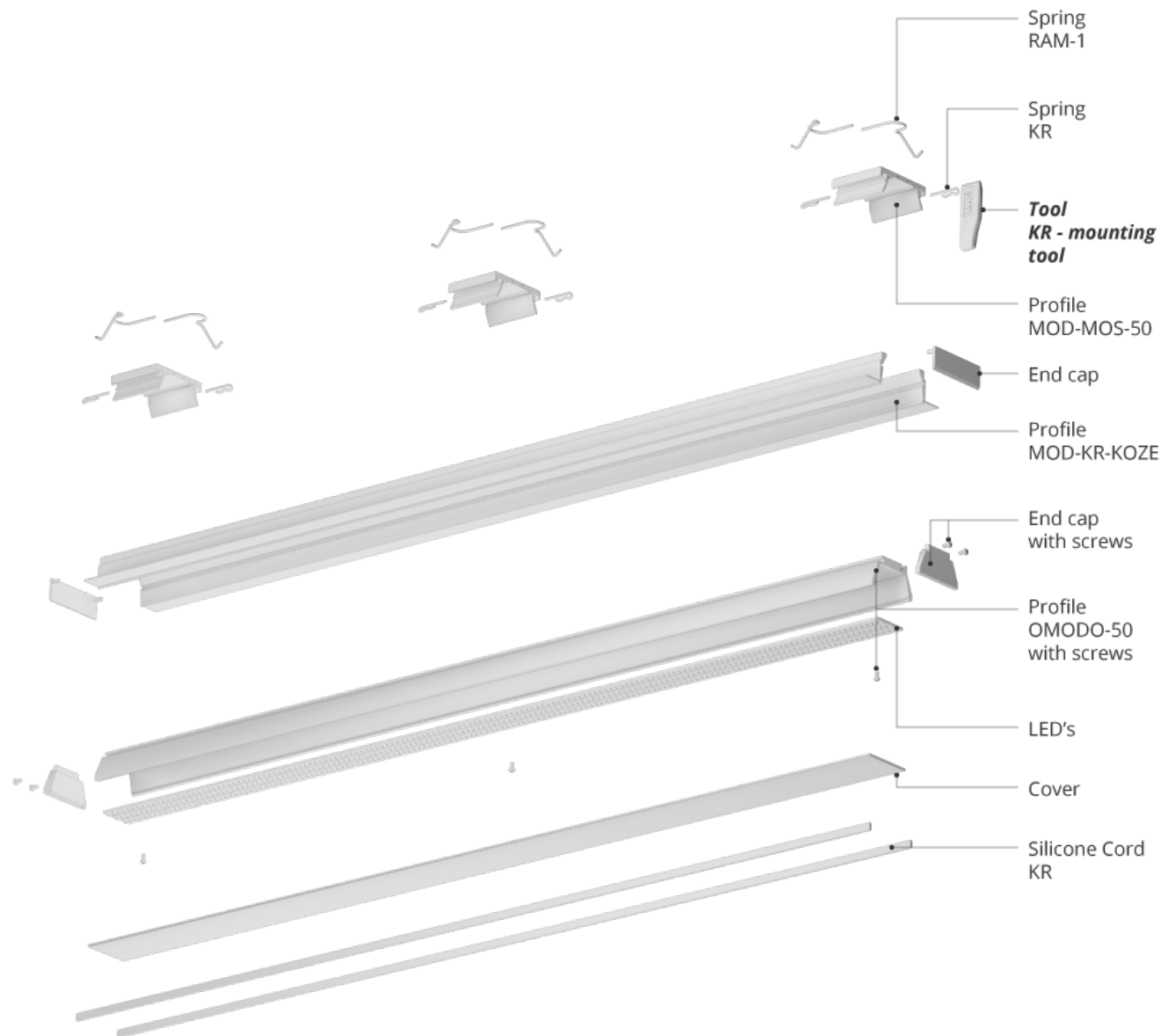
The following covers are compatible with MOD-KOZE-50:

- JUN-50 prismatic material: PMMA, length: 1.5 m, UV resistant, glare rating UGR ≤ 19 possible
- POL-50 frosted material: PC, lengths: 1 m, 2 m, 3 m, UV resistant

Animation: Profile system MOD-KOZE-50

span {font-weight:600;}

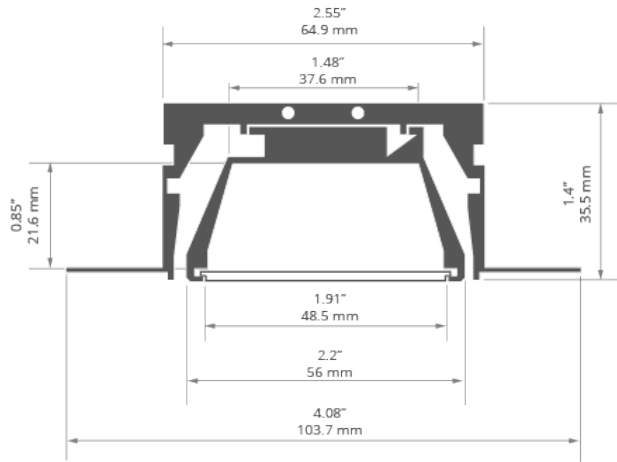
Scheme: Profile system MOD-KOZE-50



span {font-weight:600;}

Application	main lighting
Specific features	compartment for power supply
Specific features	to cover with plaster
Specific features	high light output
Material	Aluminium
place of installation	indoor installation
Mounting method	recess mount
the possibility of bending	no

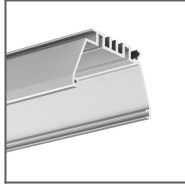
TECHNICAL DRAWING



RELATED PROFILES



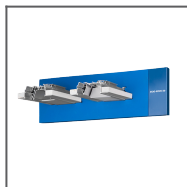
RAM-KOZE-50
Profile
Ref: 18055



OMODO-50 Profile
Ref: 18053

RELATED PRODUCTS

MARKETING MATERIALS



Foam 70427
Ref: 70427