

- 1. PDS-STN-90G Mounting bracket (Ref. 24370)
- 2. Screw*
- 3. Lighting fixture*
- 4. Power supply (12 V / 24 V)*

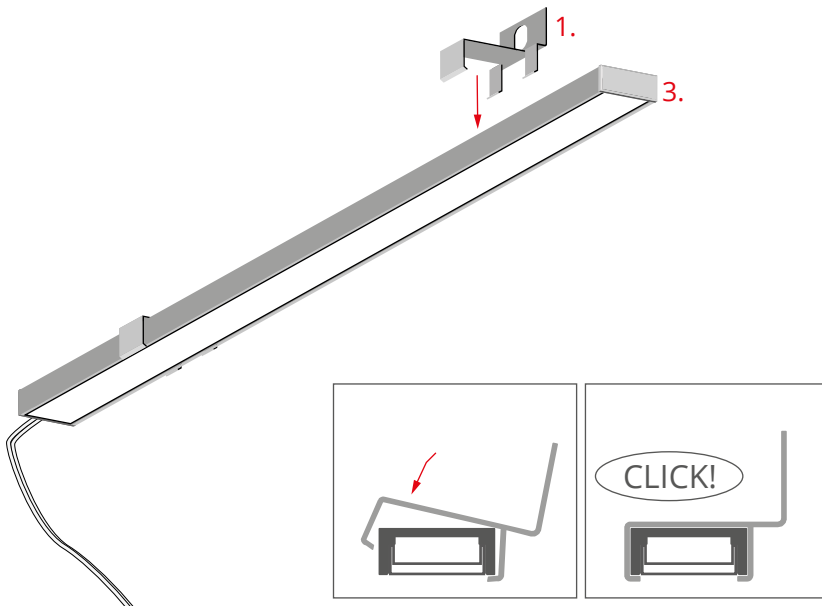
*The full range of accessories and electronics is available at www.KlusDesign.eu

NOTE! All LED tapes must be connected to a 12 V or 24 V power supply.

IMPORTANT: Not all possible mounting procedures are presented here. More mounting procedures and related accessories can be found at www.KlusDesign.eu. Drawings of extrusions and accessories in these instructions are simplified and only approximate the actual shapes.

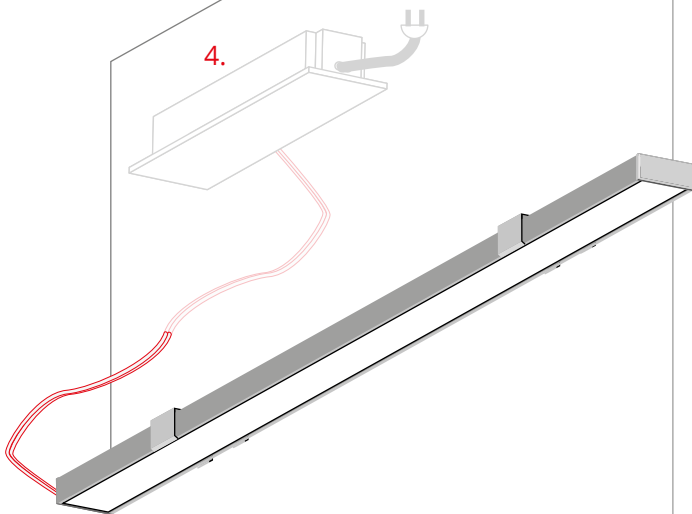
a) Installation of the fixture with brackets mounted on the profile

Ia



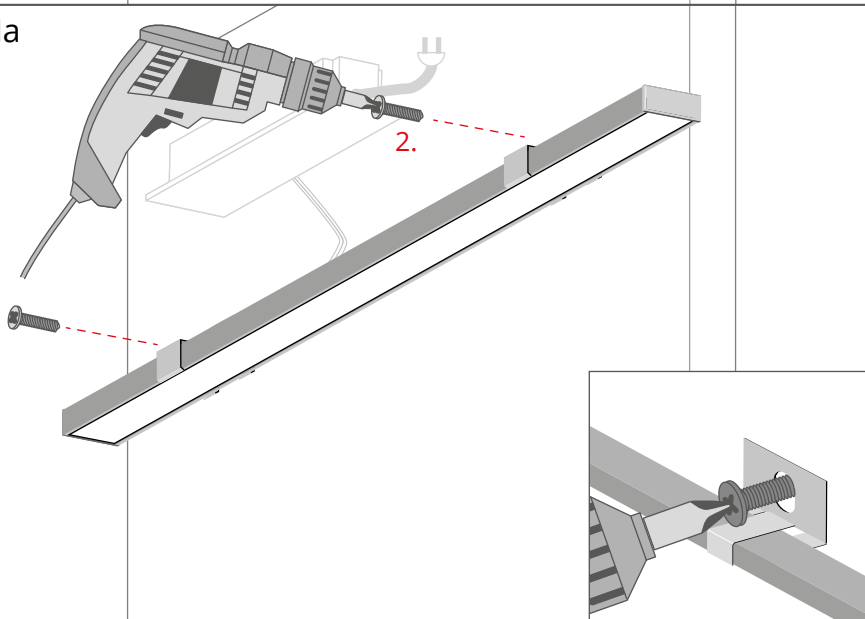
Attach mounting brackets (1) to the fixture (3).

Ila



Feed the power cable from the fixture to the power supply (4).

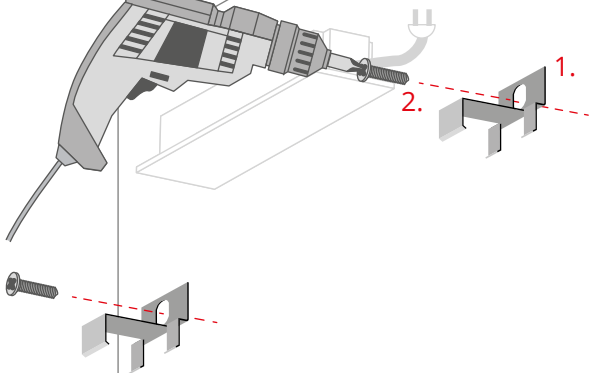
IIla



Attach the fixture with brackets to the surface with appropriate screws (2) (not provided).

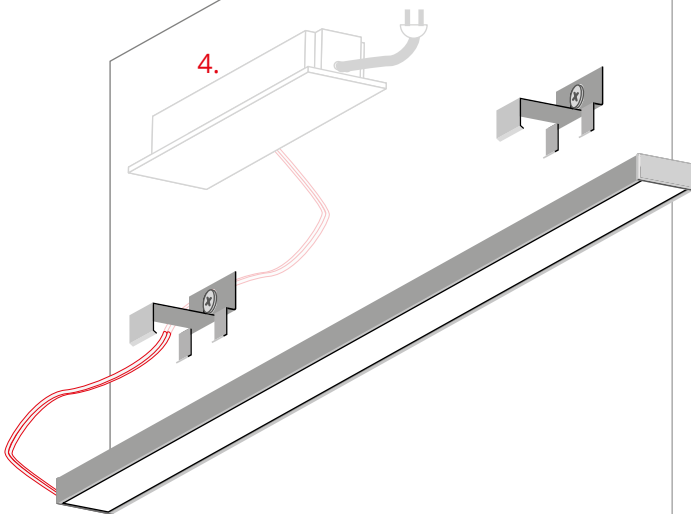
b) Mounting the fixture into mounting brackets screwed to the surface

Ib



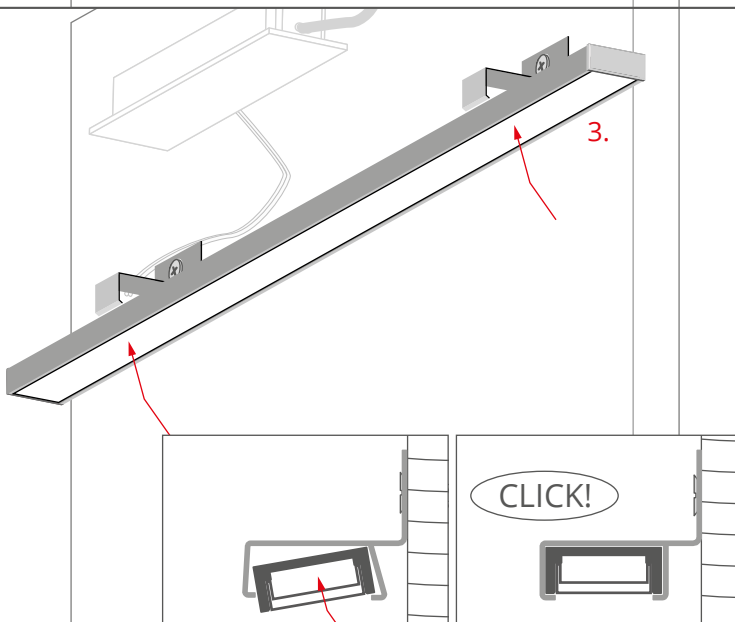
Attach the mounting bracket (1) to the surface with appropriate screws for the surface (2) (not provided).

IIb



Feed the power cable from the fixture to the power supply (4).

IIIb



Snap the lighting fixture (3) into the brackets.