

PRODUCT DESCRIPTION

- Podwieszenie wzdłużne na lince
- Installation on any type of surface
- Small width and height

Fill empty fields

Product nr.

Fixture type

Company

Job name

Date



TECHNICAL SPECIFICATION

Application

- for suspending LED lighting fixtures

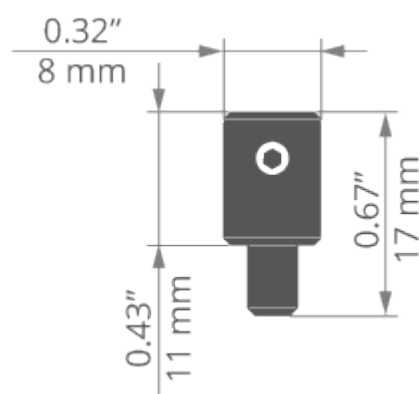
Mounting

- to the fixture or to the surface, screwed with a screwdriver
- can be screwed e.g. to drywall, aluminum, wood, fiberboard or plastics
- the lighting fixture can be suspended by the cover

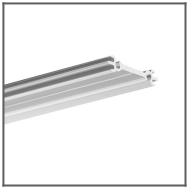
Additional information

- in plastic or wooden surfaces, drill a fi-3 hole, in aluminum surfaces a fi-3.5 hole

TECHNICAL DRAWING



RELATED PROFILES



JAZ-DUO Profile
Ref: C0788

RELATED PRODUCTS

ACCESSORIES



0.5 mm stainless
steel cable
Ref: 70499