

PRODUCT DESCRIPTION

- Aesthetic, translucent surface
- Good light diffusion
- Good light transmission

Fill empty fields

Product nr.

Fixture type

Company

Job name

Date



TECHNICAL SPECIFICATION

Application

- LED protection and light diffusion in lighting fixtures
- main, decorative and functional lighting

Mounting

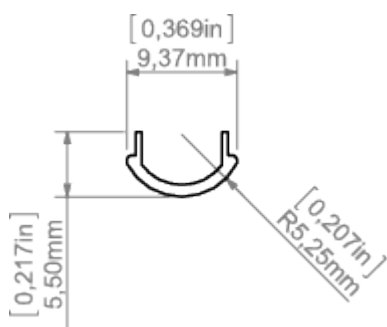
- to the profile, by pressing

Additional information

- light transmittance 81%

Material	PMMA
Available length	1000 mm, 2000 mm, 3000 mm
UV resistance	yes

TECHNICAL DRAWING



RELATED PROFILES



PIKO-O Profile
Ref: C1167