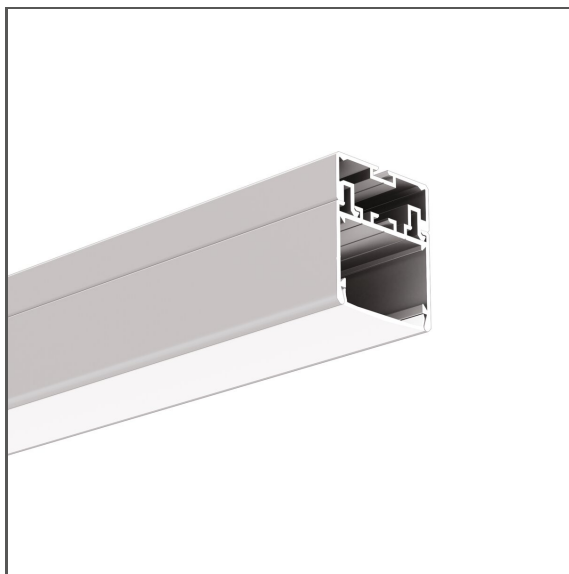


Profile 3035

Ref. A18039

Ref. arch 18039



- Easy maintenance
- Wide range of accessories
- Cable management space

APPLICATION

- main lighting

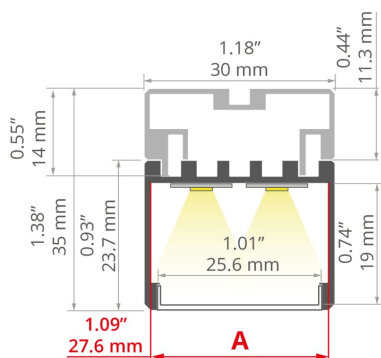
MOUNTING

- suspended or to the surface, using a dedicated mounting track, dedicated accessories or properly selected screws
- can be easily connected into runs and systems

ADDITIONAL INFORMATION

- standard lengths of KLUŚ profiles and covers: 1000 mm (tolerance ± 1.5 mm) and 2005 mm / 3010 mm (tolerance + 5 mm); for selected covers: 6050 mm, 10050 mm (tolerance + 5 mm)
- when choosing a different length of profiles / covers than available in the standard, you should additionally choose the cutting service at KLUŚ

TECHNICAL DRAWING



TECHNICAL SPECIFICATIONS

Material	aluminum
Color	■ silver anodized
Possible fixture IP	20
Possible fixture shapes	rectangular
Profile cross-section	rectangular
Width	30 mm
Height	35 mm
LED gluing width A	27.6 mm
Number of LED strips A (8 mm wide)	3
Possibility of obtaining a line of light	yes
Building type	Commercial, Residential, Retail, HoReCa object
Facility zone	office, kitchen, conference room, communication routes and corridors
The cover is cut to the length of the profile	yes
Can be easily connected into runs	yes
Wire out back of extrusion	yes

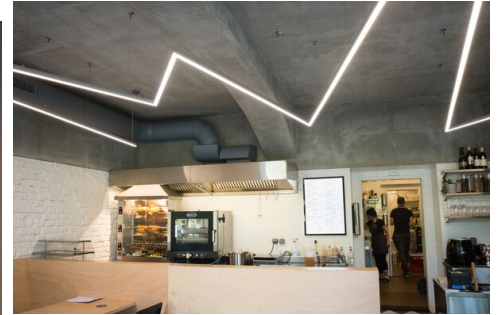
Length	Ref
1000 mm	A18039A_1 18039ANODA_1
2005 mm	A18039A_2 18039ANODA_2
3010 mm	A18039A_3 18039ANODA_3

Profile 3035


Ref. A18039

Ref. arch 18039



SAMPLE PROJECTS



RELATED ACCESSORIES > RELATED COVERS

NAME	MATERIAL	MATERIAL TRANSMITTANCE	COLOR	REF.
3035	 PC	62 %	<input type="checkbox"/> frosted	B17141M 17141

RELATED ACCESSORIES > RELATED END CAPS

NAME	MATERIAL	COLOR	REF.
3035	 ABS	<input checked="" type="checkbox"/> gray	C24273C02 24273
3035-HQ	 aluminum	<input checked="" type="checkbox"/> gray	C28216AS 42624

RELATED ACCESSORIES > OTHER RELATED ACCESSORIES > CONDUCTIVE FASTENERS AND HEADS FOR PROFILES



FASTENER
FI-8-LIN-ZMZ
C28171N00, C28171L10,
C28171L07
Ref. arch 42286, 42286L9010,
42286L9005



FASTENER
PUSZ-LIN-ZM
C28160N00, C28160L10,
C28160L07
Ref. arch 42275, 42275L9010,
42275L9005



FASTENER
PUSZ-LIN-MR
C28163N00, C28163L10,
C28163L07
Ref. arch 42278, 42278L9010,
42278L9005



FASTENER
PUSZ-PRET-ZM
C28161N00, C28161L10,
C28161L07
Ref. arch 42276, 42276L9010,
42276L9005



FASTENER
PUSZ-PRET-LEB
C28165N00, C28165L10,
C28165L07
Ref. arch 42280, 42280L9010,
42280L9005

RELATED ACCESSORIES > OTHER RELATED ACCESSORIES > CONNECTORS

Profile 3035

Ref. A18039

Ref. arch 18039



CONNECTOR

ZM-180

C28075N00

Ref. arch 40693



CONNECTOR

ZM-60

C28243N00

Ref. arch 42736

RELATED ACCESSORIES > OTHER RELATED ACCESSORIES > FASTENERS AND HEADS FOR PROFILES

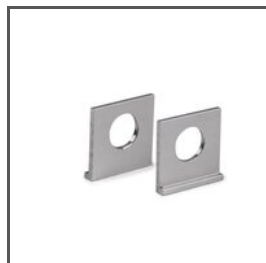


HEAD

BZP

C28113N00

Ref. arch 42213



FASTENER

UCHO-ZM

C28192N00, C28192L07

Ref. arch 42512, 42525



FASTENER

FI-10-ZM-P

C28117N00

Ref. arch 42244



FASTENER

FI-10-ZM-W

C28116N00

Ref. arch 42242

RELATED ACCESSORIES > OTHER RELATED ACCESSORIES > ISOLATING BASES



ISOLATING BASES

ARMSTRONG

C28241C10

Ref. arch 42712

RELATED ACCESSORIES > OTHER RELATED ACCESSORIES > OTHER

Profile 3035

Ref. A18039

Ref. arch 18039



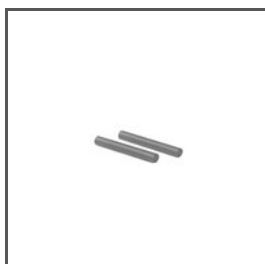
GLAND

6,4x3

C42264C07

Ref. arch 42264

RELATED ACCESSORIES > OTHER RELATED ACCESSORIES > SECURITY AND BLOCKS



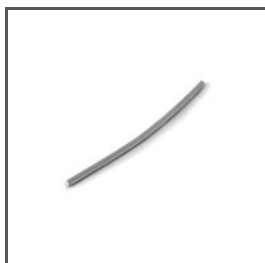
BLOCK

ZM

C28194N00

Ref. arch 42520

RELATED ACCESSORIES > OTHER RELATED ACCESSORIES > SPRINGS FOR RECESSED MOUNT AND MOUNTING TRACKS



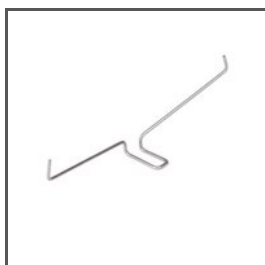
SPRING

BLOK

C42731N00

Ref. arch 42731

RELATED ACCESSORIES > OTHER RELATED ACCESSORIES > SURFACE SPRINGS



SPRING

GP

C24500N00

Ref. arch 00293

Profile 3035

Ref. A18039

Ref. arch 18039

RELATED ACCESSORIES > OTHER RELATED ACCESSORIES > SUSPENSION AND MOUNTING SETS



FASTENER SET

RG-1

C28230P00, C28230P01,
C28230L10, C28230L07
Ref. arch 42647NI, 42647GSS,
42647L9010, 42647L9005



FASTENER SET

RD-1

C28231
Ref. arch 42658NI, 42658GSS,
42658L9005, 42658L9010



FASTENER SET

RD-2

C28232P00, C28232P01,
C28232L10, C28232L07
Ref. arch 42653NI, 42653GSS,
42653L9010, 42653L9005



FASTENER SET

RD-3

C28233P00, C28233P01,
C28233L10, C28233L07
Ref. arch 42659NI, 42659GSS,
42659L9010, 42659L9005



FASTENER SET

RD-4

C28234P00, C28234P01,
C28234L10, C28234L07
Ref. arch 42657NI, 42657GSS,
42657L9010, 42657L9005