

Fastener FI-8-LIN-MR

Ref. C28172N00, C28172L10, C28172L07

Ref. arch 42287, 42287L9010, 42287L9005

- Lengthwise suspension on a wire
- Single pole conductivity possible
- Fixing screw flush with the profile surface
- Minimum dimensions

APPLICATION

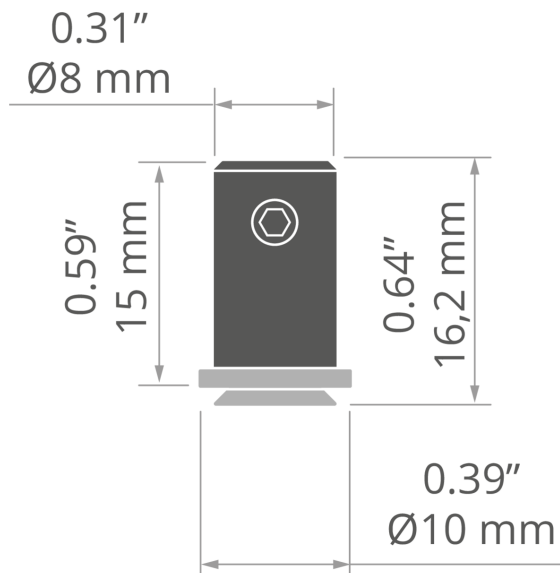
- for suspending LED lighting fixtures

MOUNTING

- to the lighting fixture, using a small lock
- to the wire with a pressure screw



TECHNICAL DRAWING



TECHNICAL SPECIFICATIONS

Width	10 mm
Height	15 mm
Diameter	8 mm
Working temperature	60°C
Lifting capacity	10 kg
Maximum current	6 A
Loss of voltage	0.55 V

Material	Color	Ref
stainless steel, PA	■ silver	C28172N00 42287
aluminum, PA	□ white	C28172L10 42287L9010
aluminum, PA	■ black	C28172L07 42287L9005

Fastener FI-8-LIN-MR

Ref. C28172N00, C28172L10, C28172L07

Ref. arch 42287, 42287L9010, 42287L9005

SAMPLE PROJECTS



RELATED PROFILES > ARCHITECTURAL



GLAZA-LL
A02627
Ref. arch C2627



REGULOR
A18068
Ref. arch B468+43

RELATED PROFILES > MOUNTING TRACKS



TESPO
A18020
Ref. arch 18020

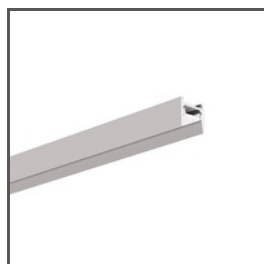
RELATED PROFILES > UNIVERSAL



45-16
A08504
Ref. arch B8504



MICRO-ALU
A01888
Ref. arch B1888



MICRO-HG
A01419
Ref. arch C1419



MICRO-PLUS
A02966
Ref. arch C2966



PDS-4-PLUS
A01263
Ref. arch C1263

Fastener FI-8-LIN-MR

Ref. C28172N00, C28172L10, C28172L07

Ref. arch 42287, 42287L9010, 42287L9005



SILER
A09325
Ref. arch B9325

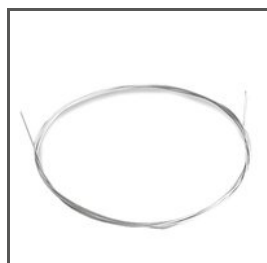


TAMI
A05390
Ref. arch B5390



TAPO
A01919
Ref. arch C1919

RELATED ACCESSORIES > OTHER RELATED ACCESSORIES > WIRES AND RODS



LINKA STALOWA
FI-1 1m
C24522N00
Ref. arch 1397



WIRE
FI-1,35mm
Z70310
Ref. arch 70310



WIRE
0,5 mm
Z70499
Ref. arch 70499