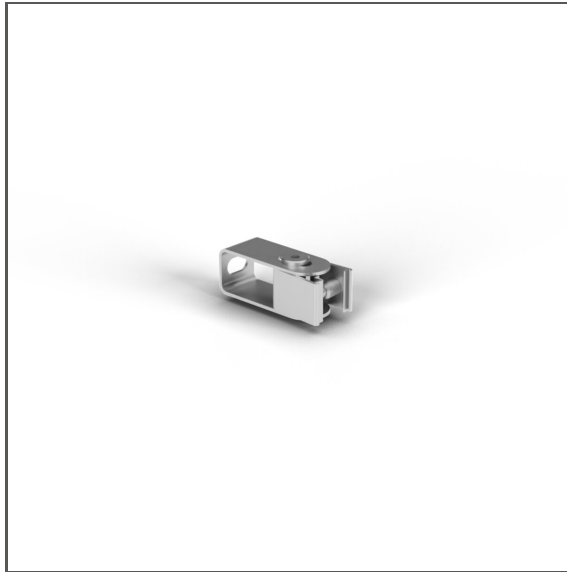


Mounting bracket HR-OPTI

Ref. C28090N00

Ref. arch 42121



- Strong attachment of facade profiles
- Distance of the fixture from the mounting surface: 60 mm
- Correcting the position of the lighting fixture on an uneven surface
- Possibility to fasten the luminaire at the back or side
- Adjustable lighting angle of the lighting fixture
- High mechanical and weather resistance

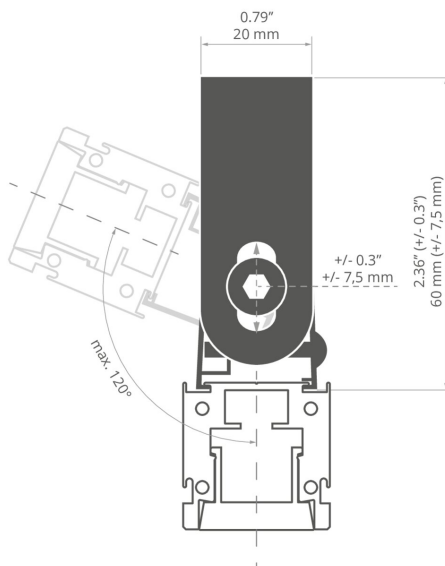
APPLICATION

- for fixing LED lighting fixtures in facade systems
- for embedding power supplies and electronics in LED lighting fixtures

MOUNTING

- to the surface, using properly selected screws
- to the lighting fixture, with hooks

TECHNICAL DRAWING



TECHNICAL SPECIFICATIONS

Material	stainless steel	Corrosion resistance	yes
Color	steel	UV radiation resistance	yes
Width	20 mm	Lifting capacity	20 kg
Height	60 mm	Lighting angle adjustment up to	120°

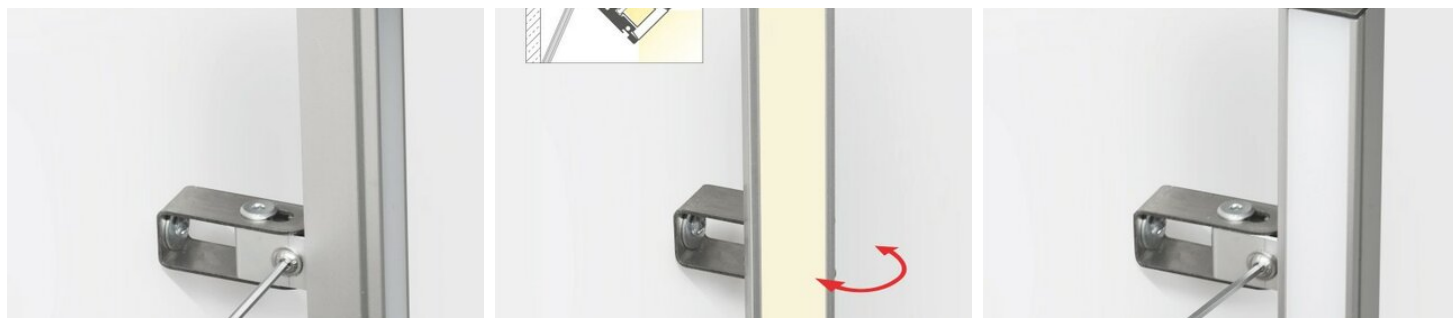
Mounting bracket HR-OPTI

Ref. C28090N00

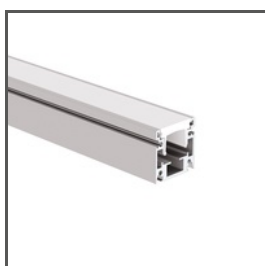
Ref. arch 42121

KLUŚ Inspiring
Solutions

SAMPLE PROJECTS



RELATED PROFILES > FACADE



HR-OPTI

A01844

Ref. arch C1844

RELATED SYSTEMS > IN-GROUND AND FACADE SYSTEMS



HR-OPTI

A01844+C28090N00

Ref. arch C1844+42121