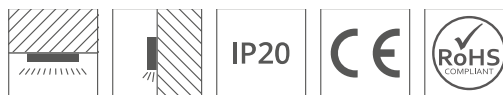
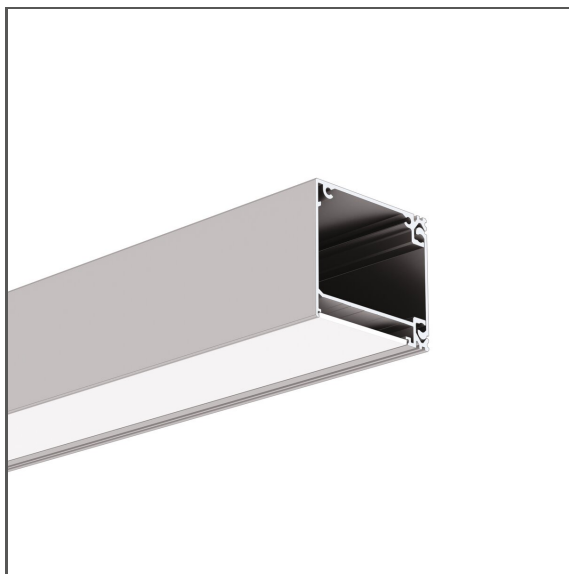


Profile IKON

Ref. A18013

Ref. arch 18013



- Space for power supply and electronic components
- Easy maintenance

APPLICATION

- decorative lighting

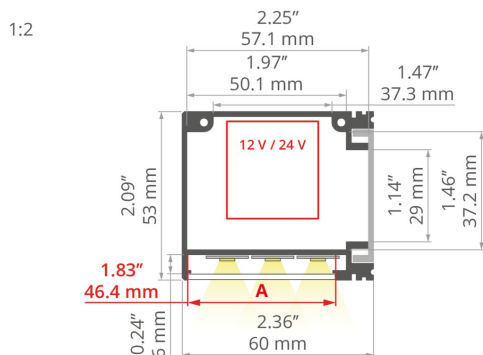
MOUNTING

- to the surface, using a dedicated mounting track and properly selected screws

ADDITIONAL INFORMATION

- the power supply can be secured inside the profile using dedicated accessories
- standard lengths of KLUŚ profiles and covers: 1000 mm (tolerance ± 1.5 mm) and 2005 mm / 3010 mm (tolerance $+ 5$ mm); for selected covers: 6050 mm, 10050 mm (tolerance $+ 5$ mm)
- when choosing a different length of profiles / covers than available in the standard, you should additionally choose the cutting service at KLUŚ

TECHNICAL DRAWING



TECHNICAL SPECIFICATIONS

Material	aluminum
Color	■ silver anodized
Possible fixture IP	20
Possible fixture shapes	rectangular
Profile cross-section	rectangular
Width	60 mm
Height	53 mm
LED gluing width A	46.4 mm
Number of LED strips A (8 mm wide)	5
Compartment for power supply	yes
Building type	HoReCa object, Commercial, Residential
Facility zone	office, communication routes and corridors, wall lighting
The cover is cut to the length of the profile	yes
Wire out back of extrusion	yes

Length	Ref
1000 mm	A18013A_1 18013ANODA_1
2005 mm	A18013A_2 18013ANODA_2
3010 mm	A18013A_3 18013ANODA_3

Profile IKON


Ref. A18013

Ref. arch 18013


SAMPLE PROJECTS



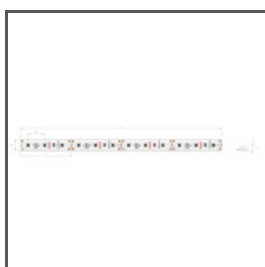
RELATED ACCESSORIES > RELATED COVERS

NAME	MATERIAL	MATERIAL TRANSMITTANCE	COLOR	REF.
HSP-47		73 %	<input type="checkbox"/> frosted	B17051M 17051
		94 %	<input checked="" type="checkbox"/> clear	B17051T 17062

RELATED ACCESSORIES > RELATED END CAPS

NAME	MATERIAL	COLOR	REF.
IKON		PP gray	C24013C02 24013

RELATED ACCESSORIES > RELATED LED



K-1210-12V

K-1210-12

Ref. arch K-1210-12V



K-1275-12V

K-1275-12

Ref. arch K-1275-12V



WP-K-1220-12V

KWP-1220-12

Ref. arch WP-K-1220-12V



WP-K-1275-12V

KWP-1275-12

Ref. arch WP-K-1275-12V



WP-K-1220-IP65-12V

_błąd

Ref. arch WP-K-1220-IP65-12V

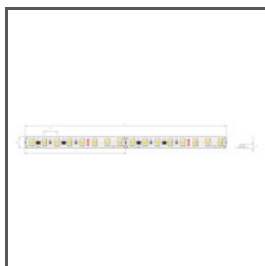


K-1275-RGB-12V

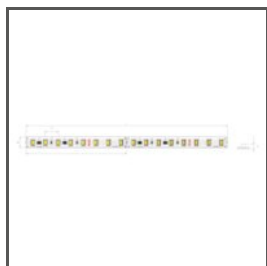
K-RGB-1275-12

Ref. arch K-1275-RGB-12V

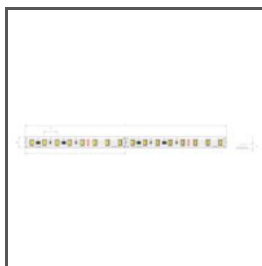
RELATED ACCESSORIES > RELATED LED > HIGH EFFICACY



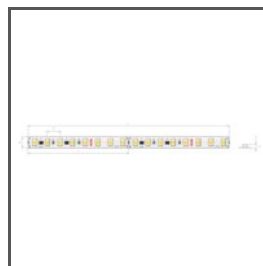
K-HE-0480-HD-24V
K-HEHD-0480-24
Ref. arch K-HE-0480-HD-24V



K-HE-0960-HD-24V
K-HEHD-0960-24
Ref. arch K-HE-0960-HD-24V



K-HE-1440-HD-24V
K-HEHD-1440-24
Ref. arch K-HE-1440-HD-24V



K-HE-1920-HD-24V
K-HEHD-1920-24
Ref. arch K-HE-1920-HD-24V

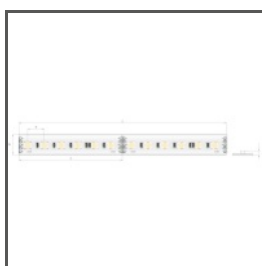
RELATED ACCESSORIES > RELATED LED > RGB / RGB-W / RGB-CTT



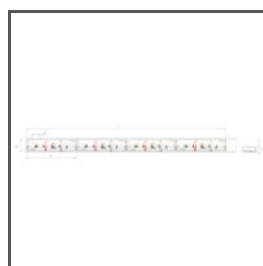
K-1530-RGB+W-24V
K-RGBW-1530-24
Ref. arch K-1530-RGB+W-24V



WP-K-1530-RGB+W-24V
KWP-RGBW-1530-24
Ref. arch WP-K-1530-RGB+W-24V



K-1920-120-RGB-24V
K-RGB-1920-120-24
Ref. arch K-1920-120-RGB-24V



WP-K-1920-120-RGB-24V
KWP-1920-120-RGB-24
Ref. arch WP-K-1920-120-RGB-24V

RELATED ACCESSORIES > RELATED LED > WHITE MONO



WP-K-1640-HD-IP65-24V
KWP-GHD-1640-24
Ref. arch WP-K-1640-HD-IP65-24V



WP-K-1910-HD-IP65-24V
KWP-GHD-1910-24
Ref. arch WP-K-1910HDIP6524V



WP-K-1220-IP65-24V
KWP-1220-IP65-24
Ref. arch WP-K-1220-IP65-24V

RELATED ACCESSORIES > OTHER RELATED ACCESSORIES > CONDUCTIVE FASTENERS AND HEADS FOR SURFACE



FASTENER
W-BOX-Z
C28253N00
Ref. arch 00643

RELATED ACCESSORIES > OTHER RELATED ACCESSORIES > OTHER



GLAND
6x1,2
C24517C07
Ref. arch 00802



GLAND
19x1,6
C24519C07
Ref. arch 00820

RELATED ACCESSORIES > OTHER RELATED ACCESSORIES > TECHNICAL AND PROTECTIVE INSERTS



MOUNTING PAD
45
Z70457
Ref. arch 70457