

End cap JAZ-DUO-N-OTW

Ref. C28224C02TW, C28224L10TW

Ref. arch 42644, 42663



- Cable exit hole

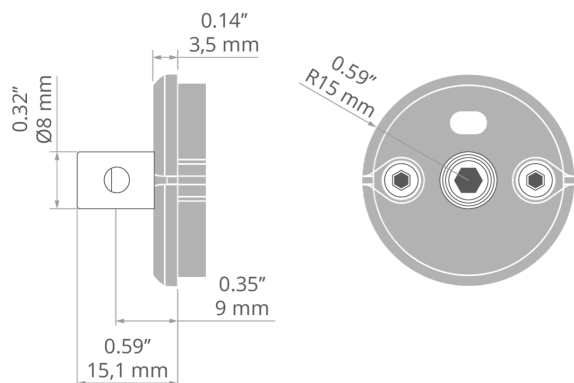
APPLICATION

- aesthetic finish and protection of the interior of the lighting fixture

MOUNTING

- to the profile, using bolts (included)

TECHNICAL DRAWING



TECHNICAL SPECIFICATIONS

| | |
|----------|----------------------|
| Material | ABS, stainless steel |
| Height | 15.1 mm |
| Width | 15 mm |
| Hole | yes |

| | |
|---------|----------------------|
| Color | Ref |
| ■ gray | C28224C02TW 42644 |
| □ white | C28224L10TW 42663 |

End cap JAZ-DUO-N-OTW

Ref. C28224C02TW, C28224L10TW

Ref. arch 42644, 42663

RELATED PROFILES > ARCHITECTURAL



JAZ-DUO

A00788

Ref. arch C0788