

Fastener K-10-WL

Ref. C28237N00

Ref. arch 42672

- Lengthwise suspension on a wire
- Minimum dimensions

APPLICATION

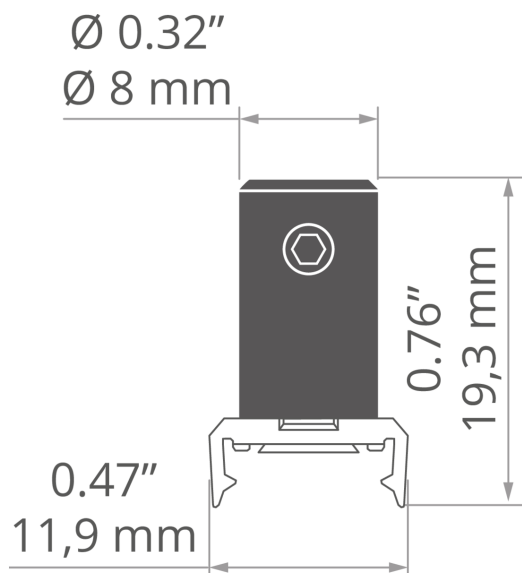
- for suspending LED lighting fixtures

MOUNTING

- to the lighting fixture, using a mounting bracket
- to the wire with a pressure screw
- easy installation and deinstallation of lighting fixtures by snapping in and out



TECHNICAL DRAWING



TECHNICAL SPECIFICATIONS

Material	stainless steel, PC
Color	■ silver
Width	11.9 mm

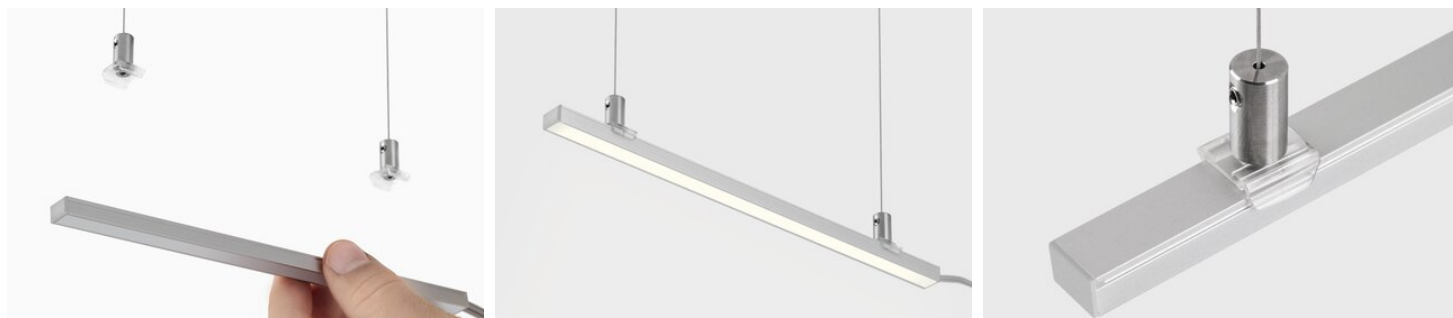
Height	19.3 mm
Lifting capacity	9 kg

Fastener K-10-WL

Ref. C28237N00

Ref. arch 42672

SAMPLE PROJECTS



RELATED PROFILES > MINIMALISTIC

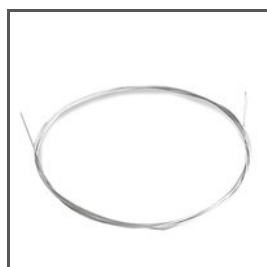


PIKO
A08288
Ref. arch B8288



PIKO-ZM
A01168
Ref. arch C1168

RELATED ACCESSORIES > OTHER RELATED ACCESSORIES > WIRES AND RODS



LINKA STALOWA
FI-1 1m
C24522N00
Ref. arch 1397



WIRE
0,5 mm
Z70499
Ref. arch 70499