

# Mounting bracket K-10

Ref. C24340C00

Ref. arch 24340



- Invisible mounting bracket
- Minimum dimensions

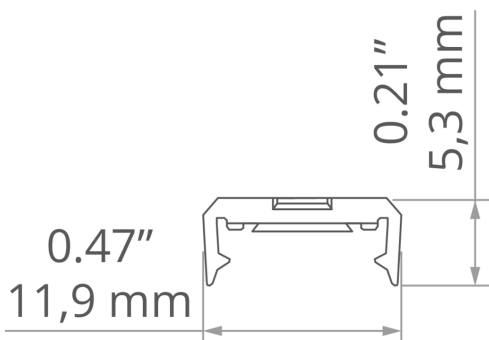
## APPLICATION

- for mounting LED lighting fixtures

## MOUNTING

- to the surface, using a properly selected screw
- to the lighting fixture, with hooks
- use screws with a countersunk head and a diameter of no more than 3.5 mm
- easy installation and deinstallation of lighting fixtures by snapping in and out

## TECHNICAL DRAWING



## TECHNICAL SPECIFICATIONS

Material	PC
Color	transparent non colored
Width	11.9 mm

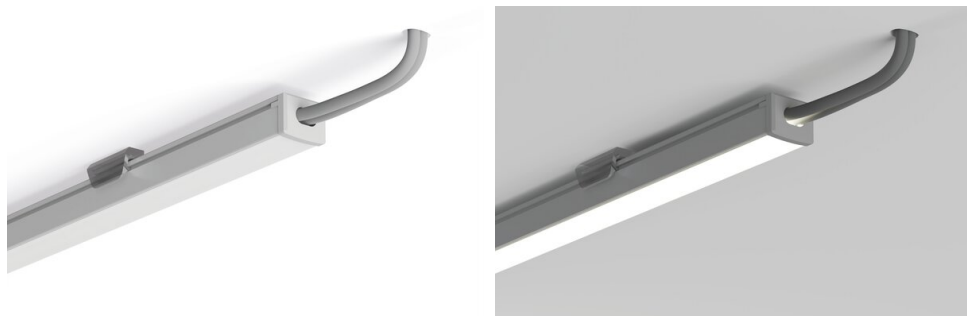
Height	5.3 mm
Lifting capacity	7.5 kg

# Mounting bracket K-10

Ref. C24340C00

Ref. arch 24340

## SAMPLE PROJECTS



## RELATED PROFILES > MINIMALISTIC



**PIKO**  
A08288  
Ref. arch B8288



**PIKO-ZM**  
A01168  
Ref. arch C1168