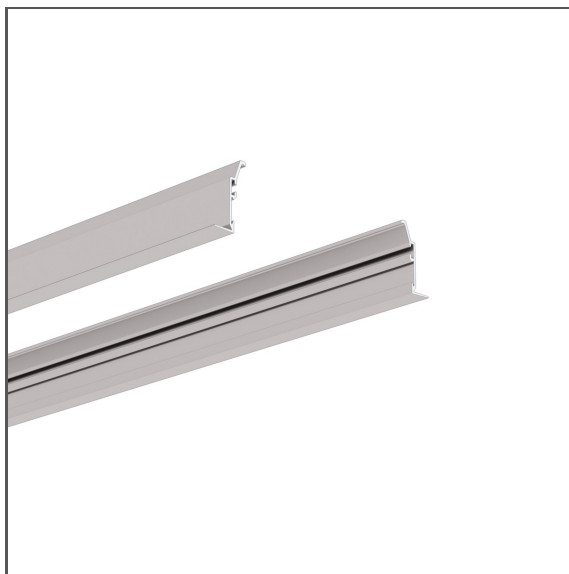


Profile MOD-KR-KOL

Ref. A02053

Ref. arch C2053



- Mounting track
- Component of the mounting track
- Edge profile with a flange masking the groove

APPLICATION

- building openwork mounting tracks for lighting fixtures

MOUNTING

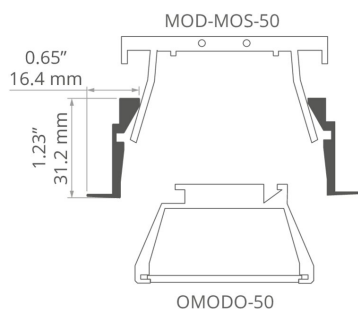
- combined with bridges, using dedicated accessories

ADDITIONAL INFORMATION

- standard lengths of KLUŚ profiles and covers: 1000 mm (tolerance ± 1.5 mm) and 2005 mm / 3010 mm (tolerance + 5 mm); for selected covers: 6050 mm, 10050 mm (tolerance + 5 mm)
- when choosing a different length of profiles / covers than available in the standard, you should additionally choose the cutting service at KLUŚ

TECHNICAL DRAWING

1:2



TECHNICAL SPECIFICATIONS

Material	aluminum
Color	■ silver anodized
Width	16.4 mm
Building type	Commercial, Residential, HoReCa object, Retail, Entertainment/ Arts
Facility zone	industrial and technical
Can be easily connected into runs	yes
Mounting to drywall	yes

Length	Height	Ref
1000 mm	31.2 mm	A02053A_1 C2053ANODA_1
2005 mm	70 mm	A02053A_2 C2053ANODA_2
3010 mm		A02053A_3 C2053ANODA_3

Profile MOD-KR-KOL

Ref. A02053

Ref. arch C2053

RELATED PROFILES > MOUNTING TRACKS



RAM-KOL-50

A18060

Ref. arch 18060



RAM-KOL-100

A18062

Ref. arch 18062