

# Fastener OS22-DUO-LIN-Z

Ref. C28183L07, C28183L10

Ref. arch 42340L9005, 42340L9010



- Longitudinal suspension on wires
- Mount to the light source side of the lighting fixture
- Creating an installation from lighting fixtures suspended one under the other
- Possibility to conduct two poles of current

## APPLICATION

- for suspending LED lighting fixtures

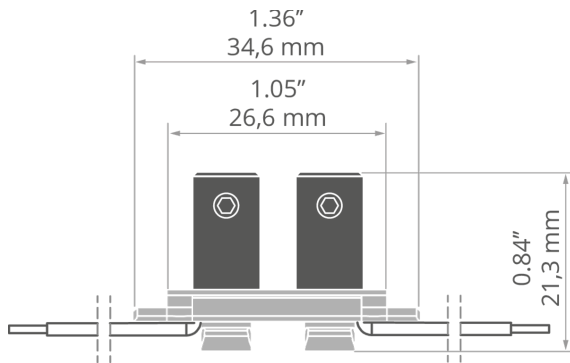
## MOUNTING

- to the lighting fixture, using a cover bracket
- to wires, using the pressure screws

## ADDITIONAL INFORMATION

- spare power connector included
- ATTENTION! in the case of installation in a profile without hooks at the cover bracket (e.g. GIZA-DUO-LL), remove the plastic holder in the lower part of the fastener

## TECHNICAL DRAWING



## TECHNICAL SPECIFICATIONS

Material	stainless steel, PA
Width	34.6 mm
Height	21.3 mm
Working temperature	60°C
Lifting capacity	10 kg
Maximum current	5 A
Loss of voltage	0.05 V

Color	Ref
■ black	C28183L07 42340L9005
□ white	C28183L10 42340L9010

# Fastener OS22-DUO-LIN-Z

Ref. C28183L07, C28183L10

Ref. arch 42340L9005, 42340L9010

## SAMPLE PROJECTS



## RELATED PROFILES > ARCHITECTURAL



**GIZA**  
A05556  
Ref. arch B5556



**GIZA-DUO-LL**  
A02162  
Ref. arch C2162



**GIZA-LL**  
A00758  
Ref. arch C0758



**GIZA-LL-T**  
A02479  
Ref. arch C2479



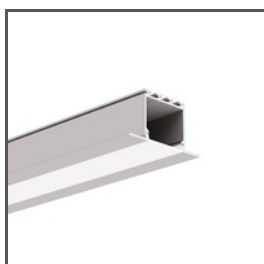
**GIZA-LL-UST**  
A02724N  
Ref. arch C2724



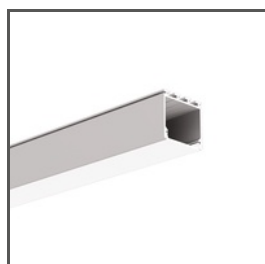
**GLAZA-DUO**  
A03059  
Ref. arch C3059



**GLAZA-LL**  
A02627  
Ref. arch C2627



**LARKO**  
A05552  
Ref. arch B5552



**LIPOD**  
A05554  
Ref. arch B5554