

Fastener OS22-DUO-PRET-Z

Ref. C28185L07, 42343L9010

Ref. arch 42343L9005, 42343L9010



- Longitudinal suspension on rods
- Mount to the light source side of the lighting fixture
- Creating an installation from lighting fixtures suspended one under the other
- Construction of sconces using standard linear lighting fixtures
- Possibility to conduct two poles of current

APPLICATION

- for suspending LED lighting fixtures

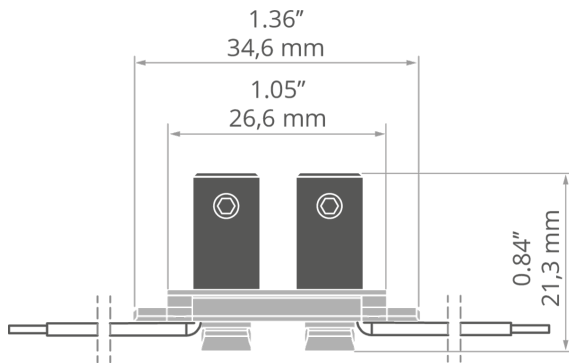
MOUNTING

- to the lighting fixture, using a cover bracket
- to rods, using the pressure bolts

ADDITIONAL INFORMATION

- spare power connector included
- ATTENTION! in the case of installation in a profile without hooks at the cover bracket (e.g. GIZA-DUO-LL), remove the plastic holder in the lower part of the fastener

TECHNICAL DRAWING



TECHNICAL SPECIFICATIONS

Material	stainless steel, PA
Width	34.6 mm
Height	21.3 mm
Working temperature	60°C
Lifting capacity	9 kg
Maximum current	5 A
Loss of voltage	0.05 V

Color	Ref
■ black	C28185L07 42343L9005
□ white	C28185L10 42343L9010

Fastener OS22-DUO-PRET-Z

Ref. C28185L07, 42343L9010

Ref. arch 42343L9005, 42343L9010

RELATED PROFILES > ARCHITECTURAL



GIZA
A05556
Ref. arch B5556



GIZA-DUO-LL
A02162
Ref. arch C2162



GIZA-LL
A00758
Ref. arch C0758



GIZA-LL-T
A02479
Ref. arch C2479



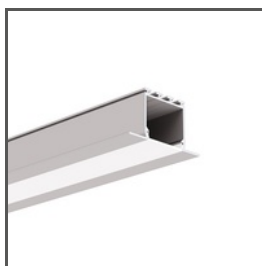
GIZA-LL-UST
A02724N
Ref. arch C2724



GLAZA-DUO
A03059
Ref. arch C3059



GLAZA-LL
A02627
Ref. arch C2627



LARKO
A05552
Ref. arch B5552



LIPOD
A05554
Ref. arch B5554