

Fastener OS22-PRET-Z

Ref. C28186L07, C28186L10

Ref. arch 42344L9005, 42344L9010



- Lengthwise suspension on a rod
- Mount to the light source side of the lighting fixture
- Creating an installation from lighting fixtures suspended one under the other
- Construction of sconces using standard linear lighting fixtures
- Single pole conductivity possible

APPLICATION

- for suspending LED lighting fixtures

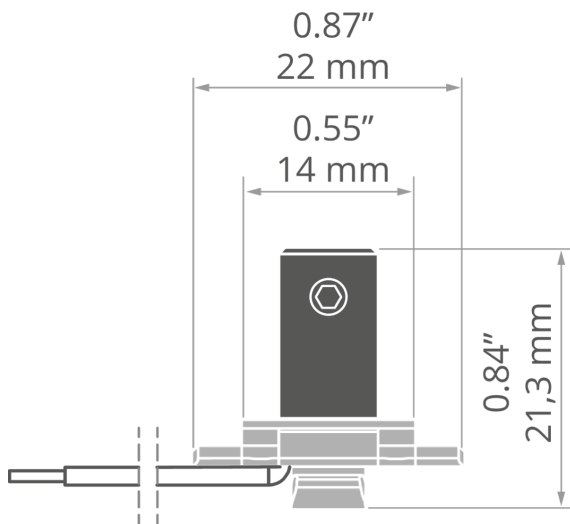
MOUNTING

- to the lighting fixture, using a cover bracket
- to the rod with a pressure screw

ADDITIONAL INFORMATION

- spare power connector included
- ATTENTION! in the case of installation in a profile without hooks at the cover bracket (e.g. GIZA-DUO-LL), remove the plastic holder in the lower part of the fastener

TECHNICAL DRAWING



TECHNICAL SPECIFICATIONS

Material	PA, stainless steel
Width	22 mm
Height	21.3 mm
Conducting electricity	yes
Working temperature	56°C
Lifting capacity	10 kg
Maximum current	5 A
Loss of voltage	0.07 V

Color	Ref
<input checked="" type="checkbox"/> black	C28186L07 42344L9005
<input type="checkbox"/> white	C28186L10 42344L9010

Fastener OS22-PRET-Z

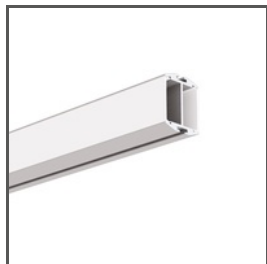
Ref. C28186L07, C28186L10

Ref. arch 42344L9005, 42344L9010

RELATED PROFILES > ARCHITECTURAL



GIZA
A05556
Ref. arch B5556



GIZA-DUO-LL
A02162
Ref. arch C2162



GIZA-LL
A00758
Ref. arch C0758



GIZA-LL-T
A02479
Ref. arch C2479



GIZA-LL-UST
A02724N
Ref. arch C2724



GLAZA-DUO
A03059
Ref. arch C3059



GLAZA-LL
A02627
Ref. arch C2627



LARKO
A05552
Ref. arch B5552



LIPOD
A05554
Ref. arch B5554