

Connector PD-MICRO

Ref. C42150N00

Ref. arch 42150

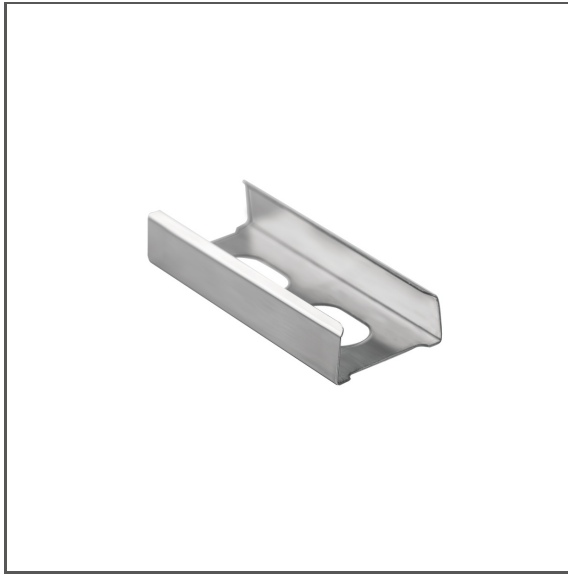
- High mechanical and weather resistance

APPLICATION

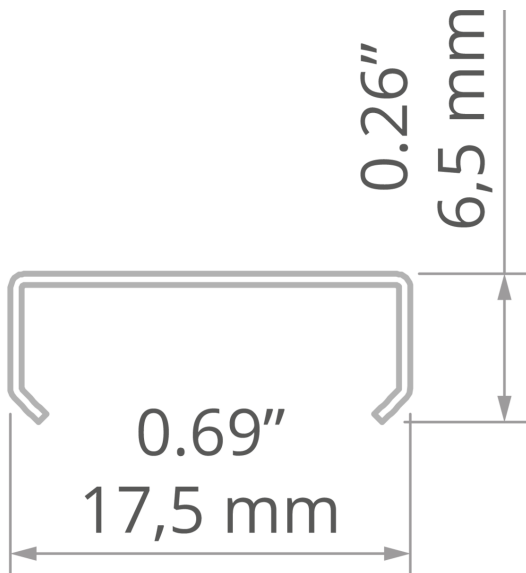
- connecting lighting fixtures into runs at an angle of 180 degrees

MOUNTING

- to the lighting fixture, with hooks
- easy assembly and disassembly by snapping in and out



TECHNICAL DRAWING



TECHNICAL SPECIFICATIONS

Material	stainless steel	Color	■ silver
----------	-----------------	-------	----------

Connector PD-MICRO

Ref. C42150N00

Ref. arch 42150

RELATED PROFILES > UNIVERSAL



MICRO-ALU

A01888

Ref. arch B1888



MICRO-PLUS

A02966

Ref. arch C2966



PDS-4-PLUS

A01263

Ref. arch C1263



TAMI

A05390

Ref. arch B5390



TAPO

A01919

Ref. arch C1919