

Fastener PLD-10-WP

Ref. C28176N00

Ref. arch 42292



- Lengthwise suspension on a rod
- Continuous lighting angle adjustment
- Minimum dimensions

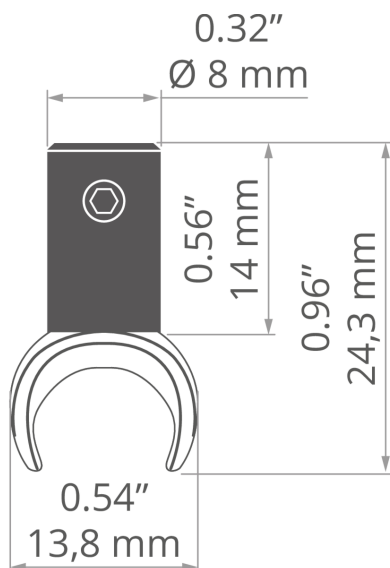
APPLICATION

- for suspending LED lighting fixtures

MOUNTING

- to the lighting fixture, using a mounting bracket
- to the rod with a pressure screw
- easy installation and deinstallation of lighting fixtures by snapping in and out

TECHNICAL DRAWING



TECHNICAL SPECIFICATIONS

Material	stainless steel, PC
Color	■ silver
Width	13.8 mm

Height	24.3 mm
Lifting capacity	6 kg

Fastener PLD-10-WP

Ref. C28176N00

Ref. arch 42292

KLUŚ Inspiring
Solutions

SAMPLE PROJECTS

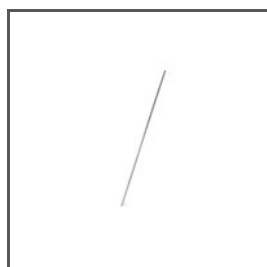


RELATED PROFILES > MINIMALISTIC



PIKO-O
A01167
Ref. arch C1167

RELATED ACCESSORIES > OTHER RELATED ACCESSORIES > WIRES AND RODS



ROD
FI-3 1m
42501



ROD
FI-3-ALU
C28196A01, C28196A07
Ref. arch 42526, 42527, 42528, 42529