

Head ST

Ref. C28114N00

Ref. arch 42216



- Crosswise suspension on a rod

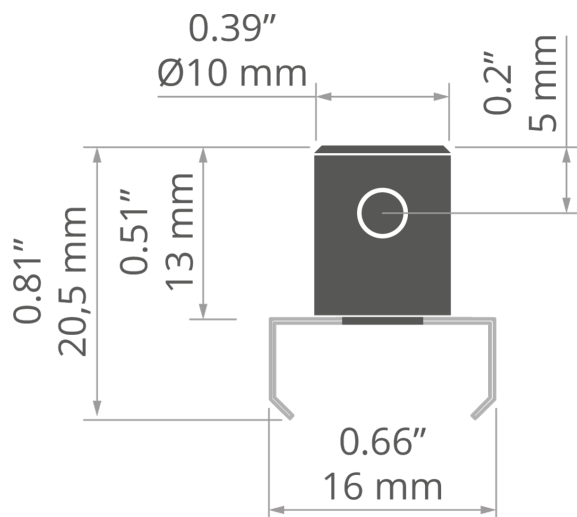
APPLICATION

- for suspending LED lighting fixtures

MOUNTING

- to the lighting fixture, using a mounting bracket
- to the rod with a pressure screw

TECHNICAL DRAWING



TECHNICAL SPECIFICATIONS

Material	stainless steel
Color	■ silver
Width	16.8 mm

Height	20.5 mm
Lifting capacity	5 kg

Head ST

Ref. C28114N00

Ref. arch 42216

RELATED PROFILES > ARCHITECTURAL



REGULATOR

A18068

Ref. arch B468+43

RELATED PROFILES > UNIVERSAL



45-16

A08504

Ref. arch B8504



MICRO-ALU

A01888

Ref. arch B1888



PDS-4-PLUS

A01263

Ref. arch C1263



TAMI

A05390

Ref. arch B5390



TAPO

A01919

Ref. arch C1919

RELATED ACCESSORIES > OTHER RELATED ACCESSORIES > SUSPENSION AND MOUNTING SETS



ARM

K5G-AB

C28270N00

Ref. arch 42051

RELATED ACCESSORIES > OTHER RELATED ACCESSORIES > WIRES AND RODS

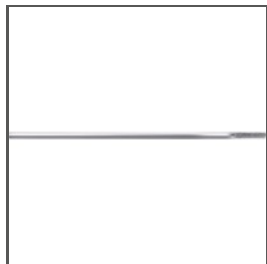
Head ST

Ref. C28114N00

Ref. arch 42216



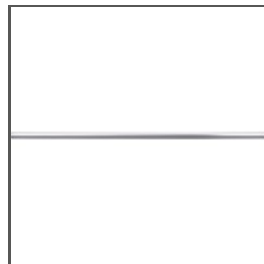
ARM
K1G-AB
C28104N00
Ref. arch 42115



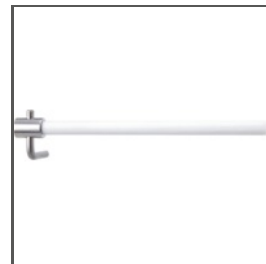
ARM
K0G-AB
C28100N00
Ref. arch 42102



ARM
K1-AB300
C42201N00
Ref. arch 42201



ARM
K0-AB300
C42202N00
Ref. arch 42202



ROD
M5-K5 1m
C28110N00
Ref. arch 42209